

NF731 Series

User's Manual

NO. G03-NF731-F

Revision: 1.0

Release date: October 10, 2017

Trademark:

- * Specifications and Information contained in this documentation are furnished for information use only, and are subject to change at any time without notice, and should not be construed as a commitment by manufacturer.

Environmental Protection Announcement

Do not dispose this electronic device into the trash while discarding. To minimize pollution and ensure environment protection of mother earth, please recycle.



TABLE OF CONTENT

ENVIRONMENTAL SAFETY INSTRUCTION.....	iv
USER'S NOTICE	v
MANUAL REVISION INFORMATION	v
ITEM CHECKLIST	v
CHAPTER 1 INTRODUCTION OF THE MOTHERBOARD	
1-1 FEATURE OF MOTHERBOARD	1
1-2 SPECIFICATION	2
1-3 LAYOUT DIAGRAM	3
CHAPTER 2 HARDWARE INSTALLATION	
2-1 JUMPER SETTING	7
2-2 CONNECTORS AND HEADERS.....	10
2-2-1 CONNECTORS	10
2-2-2 HEADERS	13
CHAPTER 3 INTRODUCING BIOS	
3-1 ENTERING SETUP	18
3-2 BIOS MENU SCREEN	19
3-3 FUNCTION KEYS	19
3-4 GETTING HELP	20
3-5 MEMU BARS.....	20
3-6 MAIN MENU	21
3-7 ADVANCED MENU	22
3-8 CHIPSET MENU.....	33
3-9 SECURITY MENU	36
3-10 BOOT MENU	37
3-11 SAVE & EXIT MENU	38



Environmental Safety Instruction

- Avoid the dusty, humidity and temperature extremes. Do not place the product in any area where it may become wet.
- 0 to 60 centigrade is the suitable temperature. (The figure comes from the request of the main chipset)
- Generally speaking, dramatic changes in temperature may lead to contact malfunction and crackles due to constant thermal expansion and contraction from the 'welding spots' that connect components and PCB. Computer should go through an adaptive phase before it boots when it is moved from a cold environment to a warmer one to avoid condensation phenomenon. These water drops attached on PCB or the surface of the components can bring about phenomena as minor as computer instability resulted from corrosion and oxidation from components and PCB or as major as short circuit that can burn the components. Suggest starting the computer until the temperature goes up.
- The increasing temperature of the capacitor may decrease the life of computer. Using the close case may decrease the life of other device because the higher temperature in the inner of the case.
- Attention to the heat sink when you over-clocking. The higher temperature may decrease the life of the device and burned the capacitor.

USER'S NOTICE

COPYRIGHT OF THIS MANUAL BELONGS TO THE MANUFACTURER. NO PART OF THIS MANUAL, INCLUDING THE PRODUCTS AND SOFTWARE DESCRIBED IN IT MAY BE REPRODUCED, TRANSMITTED OR TRANSLATED INTO ANY LANGUAGE IN ANY FORM OR BY ANY MEANS WITHOUT WRITTEN PERMISSION OF THE MANUFACTURER.

THIS MANUAL CONTAINS ALL INFORMATION REQUIRED TO USE THIS MOTHER-BOARD SERIES AND WE DO ASSURE THIS MANUAL MEETS USER'S REQUIREMENT BUT WILL CHANGE, CORRECT ANY TIME WITHOUT NOTICE. MANUFACTURER PROVIDES THIS MANUAL "AS IS" WITHOUT WARRANTY OF ANY KIND, AND WILL NOT BE LIABLE FOR ANY INDIRECT, SPECIAL, INCIDENTAL OR CONSEQUENTIAL DAMAGES (INCLUDING DAMAGES FOR LOSS OF PROFIT, LOSS OF BUSINESS, LOSS OF USE OF DATA, INTERRUPTION OF BUSINESS AND THE LIKE).

PRODUCTS AND CORPORATE NAMES APPEARING IN THIS MANUAL MAY OR MAY NOT BE REGISTERED TRADEMARKS OR COPYRIGHTS OF THEIR RESPECTIVE COMPANIES, AND THEY ARE USED ONLY FOR IDENTIFICATION OR EXPLANATION AND TO THE OWNER'S BENEFIT, WITHOUT INTENT TO INFRINGE.

Manual Revision Information

Reversion	Revision History	Date
1.0	First Edition	October 10, 2017

Item Checklist

- Motherboard
- User's Manual
- DVD for motherboard utilities
- Cable(s)

Chapter 1

Introduction of the Motherboard

1-1 Feature of Motherboard

- Onboard Intel[®] Skylake-U/Kabylake-U series processor, TDP 15 W, never denies high performance
- Support 1* DDR-4 2133 MHz SO-DIMM, maximum capacity up to 16GB
- Support 1* SATAIII (6Gb/s) Device
- Support 1* full-size Mini -SATA
- Support 1* full-size Mini-PCIE connector
- Support 1* half-size Mini-PCIE connector
- Support 1* SIM Card Holder
- Support 4* RJ-45 LAN port
- Support USB 3.0 data transport demand
- Support CPU Over-Temperature protection
- Support CPU Over-Current/Under Voltage protection
- Support CPU Smart FAN
- Compliance with ErP standard
- Support Watchdog function

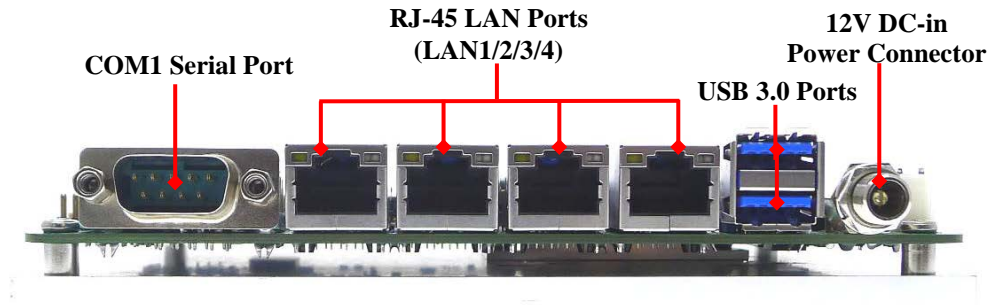
1-2 Specification

Spec	Description
Design	<ul style="list-style-type: none">● 8-layer; PCB size: 3.5", 14.8 x 10.2 cm
Embedded CPU	<ul style="list-style-type: none">● Integrated with Intel® Skylake-U/Kabylake-U series CPU (TDP 15W) <p><i>*CPU model varies from different IPC options. Please consult your dealer for more information of onboard CPU.</i></p>
Memory Slot	<ul style="list-style-type: none">● 1* DDR4 SO-DIMM slot for DDR4 2133 MHz SO-DIMM up to 16GB <p><i>*Memory clock supporting range is decided by specific CPU of the model. For more memory compatibility information please consults your local dealer.</i></p>
Expansion Slot	<ul style="list-style-type: none">● 1* Full-size Mini-PCIE slot (MPE1)● 1* Half-size Mini-PCIE slot (MPE2)● 1* Full-size MSATA slot (MSATA)● 1* SIM card slot
LAN Chip	<ul style="list-style-type: none">● Integrated with 1* Intel I219-LM & 3* Intel I211AT PCI-E Gigabit LAN chip● Support Fast Ethernet LAN function of providing 10/100/1000Mbps Ethernet data transfer rate
Storage	<ul style="list-style-type: none">● 1* SATAIII 6G/s port● 1* Full-size MSATA slot (MSATA)
BIOS	<ul style="list-style-type: none">● AMI Flash ROM
Rear I/O	<ul style="list-style-type: none">● 1* 12V DC-in power Jack● 2* USB 3.0 port● 4* RJ-45 LAN port● 1* RS232 serial port (COM1)
Internal I/O	<ul style="list-style-type: none">● 1* 2-Pin internal 12V DC-in power connector● 1* SATA Power-out connector● 1* CPU fan connector

- 1* Front panel header
- 1* Speaker & Power LED header
- 1* LAN LED activity header
- 1* RS232 serial port header(**COM2, RS232/RS422/485**)
- 1* GPIO_CON header
- 1* 9-pin USB 2.0 header (Expansable to 2* USB 2.0 ports)
- 1* 4-pin USB 2.0 header (Expansable to 1* USB 2.0 port)
- 1* SMBUS header
- 1* PS/2 keyboard & mouse header
- 1* HDMI header

1-3 Layout Diagram

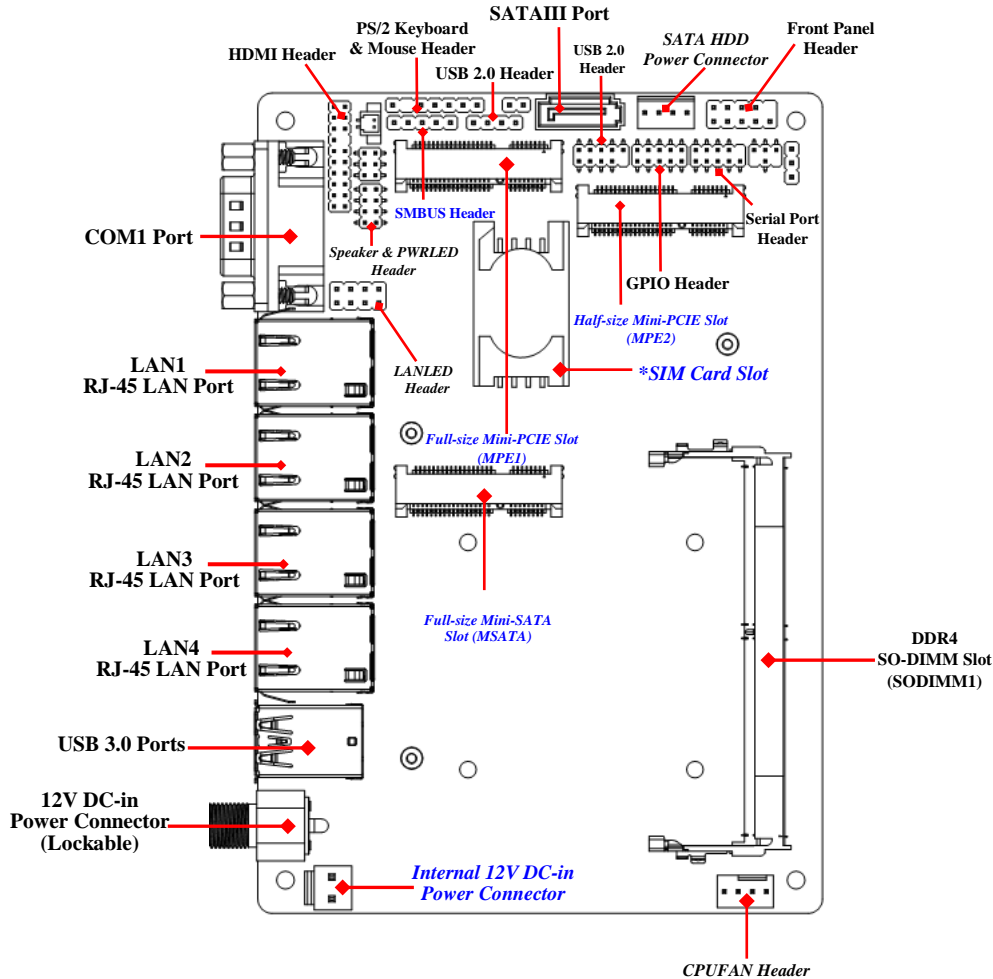
Rear IO Panel Diagram:



Warning!!

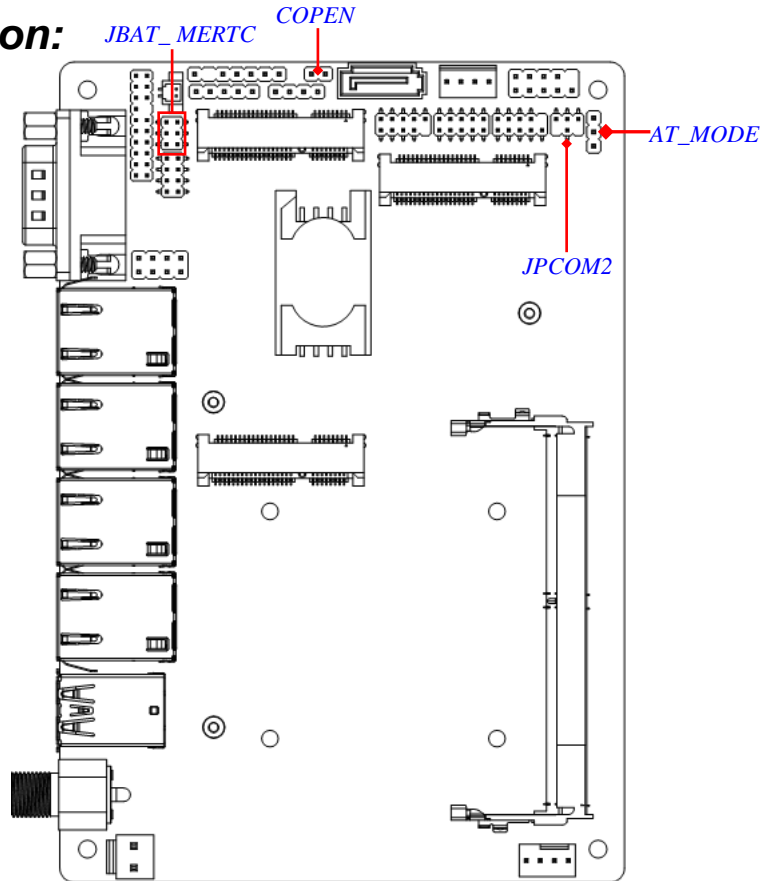
The board has a 12V DC-in power connector (DCIN) in I/O back panel and an internal ATX12V (ATX2P) power connector. User can only connect one type of compatible power supply to one of them to power the system.

Motherboard Internal Diagram-Front Side



Note: SIM card slot only work **when** compatible SIM card installed & 3G LAN card installed in **MPE1** Mini-PCIE slot.

Jumper Position:



Jumper

Jumper	Name	Description
JPCOM2	COM2 Header Pin9 Function Select	4-Pin Block
AT_MODE	ATX Mode / AT Mode Select	3-Pin Block
COPEN	Case Open Message Display Function	2-Pin Block
JBAT_MERTC	Pin 1&2: Clear CMOS Pin 3&4: Flash Override	6-Pin Block

	Pin 5&6: POK Override	
--	----------------------------------	--

Connectors

Connector	Name
DCIN	12V System DC-in Power Jack Connector
USB1	USB 3.0 Port Connector X2
LAN1/2/3/4	RJ-45 LAN Port Connector x 4
COM1	Serial Port Connector
ATX2P	Internal 12V System DC-in Power Connector
CPUFAN	CPU Fan Connector
SATA1	SATAIII Port Connector
STATPWR	SATA Power out Connector

Headers

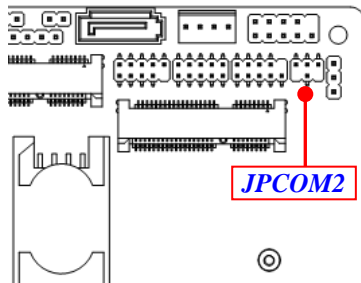
Header	Name	Description
JW_FP	Front Panel Header (PWR LED/ HDD LED/Power Button /Reset)	9-pin Block
SPK-LED	Power LED & Speaker Header	8-pin Block
LAN_LED	LAN Activity LED Header	8-pin Block
COM2	Serial Port Header	9-pin Block
GPIO_CON	GPIO Header	10-pin Block
FP_USB1	USB 2.0 Header	9-pin Block
FP_USB2	USB 2.0 Header	4-pin Block
SMBUS	SMBUS Header	5-pin Block
PS2KBMS	PS/2 Keyboard & Mouse Header	6-pin Block
HDMI	HDMI Header	19-pin Block

Chapter 2

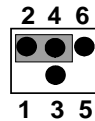
Hardware Installation

2-1 Jumper Setting

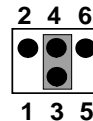
JPCOM2 (4-pin): COM2 Header Pin9 Function Select



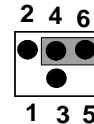
JPCOM2 → COM2 Header Pin-9



2-4 Closed:
RING(Default);

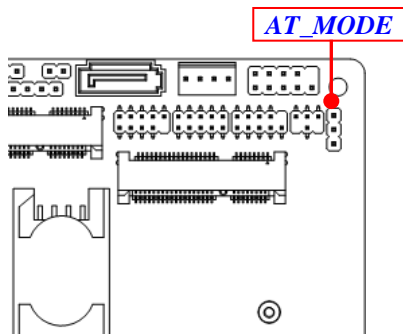


3-4 Closed:
5V;



4-6 Closed:
12V.

AT_MODE (3-pin): ATX Mode/AT Mode Select



AT_MODE → ATX/AT Mode Select



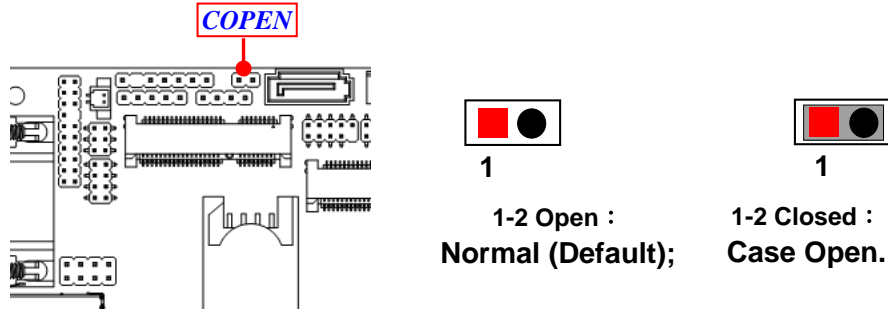
1-2 Close: ATX ModSelected(Default);



2-3 Close: AT ModSelected.

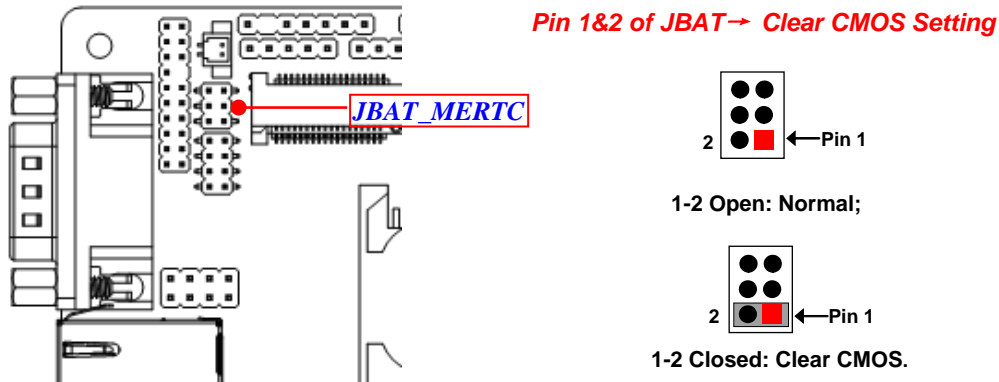
***ATX Mode Selected:** Press power button to power on after power input ready;
AT Mode Selected: Directly power on as power input ready.

COPEN (2-pin): Case Open Message Display Function Select

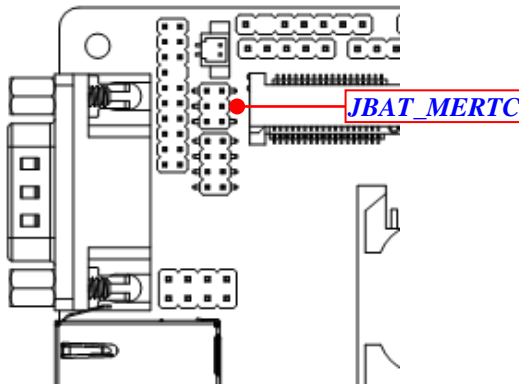


Pin (1-2) Close: When Case Open function pin short to GND, the Case Open function was detected. When Used, needs to enter BIOS and enable 'Case Open Detect' function. In this case if your case is removed, next time when you restart your computer, a message will be displayed on screen to inform you of this.

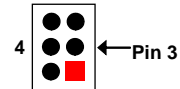
Pin 1&2 of JBAT_MERTC (6-pin): Clear CMOS Setting



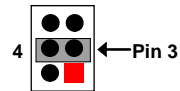
Pin 3&4 of JBAT_MERTC (6-pin): Flash Override Function Slect



Pin 3&4 of JBAT → Flash Override

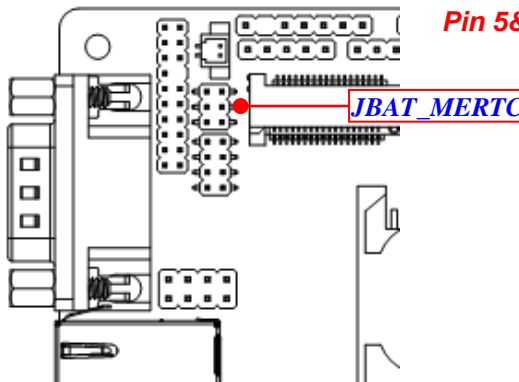


3-4 Open: Enable Security Measures in the Flash Descriptor(Default);

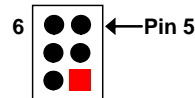


3-4 Closed: Disable Security Measures in the Flash Descriptor(Override).

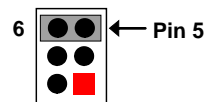
Pin 5&6 of JBAT_MERTC (6-pin): POK Override Function Slect



Pin 5&6 of JBAT → POK Override



5-6 Open: Normal;

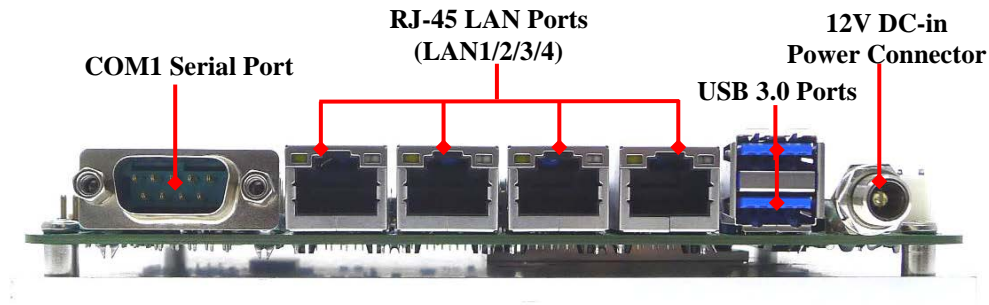






5-6 Closed: POK Override.

2-2 Connectors and Headers

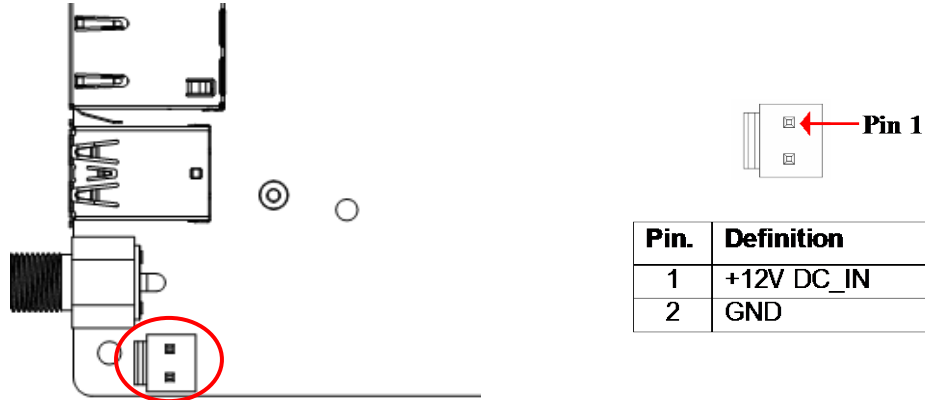
2-2-1 Connectors

(1) Rear I/O Connectors



Icon	Name	Function
	12V DC-in Power Connector	For user to connect compatible power adapter to provide power supply for the system.
	USB 3.0 Port	To connect USB keyboard, mouse or other devices compatible with USB specification. USB 3.0 ports supports up to 5Gbps data transfer rate.
	RJ-45 LAN Port	This connector is standard RJ-45 LAN jack for Network connection.
	RS232 Serial Port	Mainly for user to connect external MODEM or other devices that supports Serial Communications Interface.

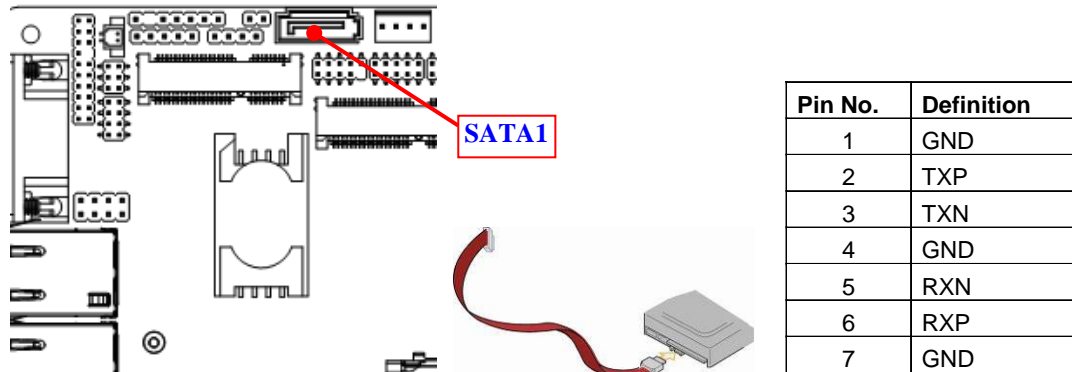
(2) ATX2P (2-pin Block): Internal 12V DC-in Power Connector



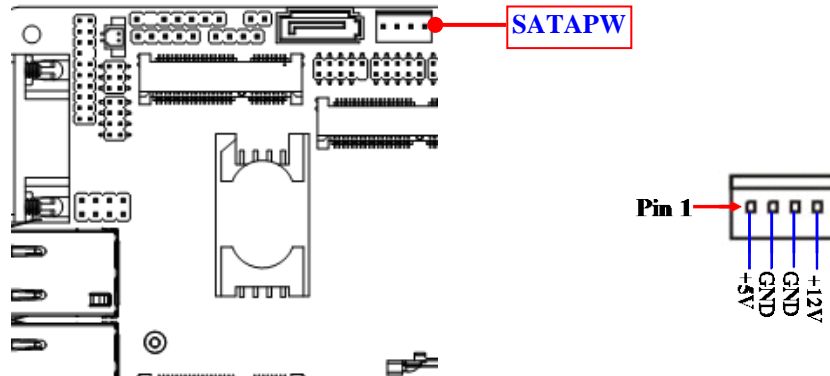
Warning!! The board has a 12V DC-in power connector (DC_IN) in I/O back panel and an internal ATX2P (ATXPWR) power connector. User can only connect one type of compatible power supply to one of them to power the system.

(3) SATA1 (7-pin Block): SATAIII Port connector

SATA1 port is a high-speed SATAIII port that supports 6GB/s transfer rate.

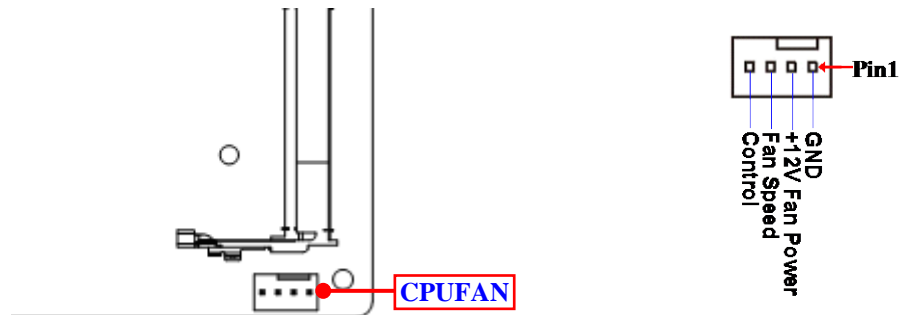


(4) SATAPW (4-pin): SATA Power Out Connector



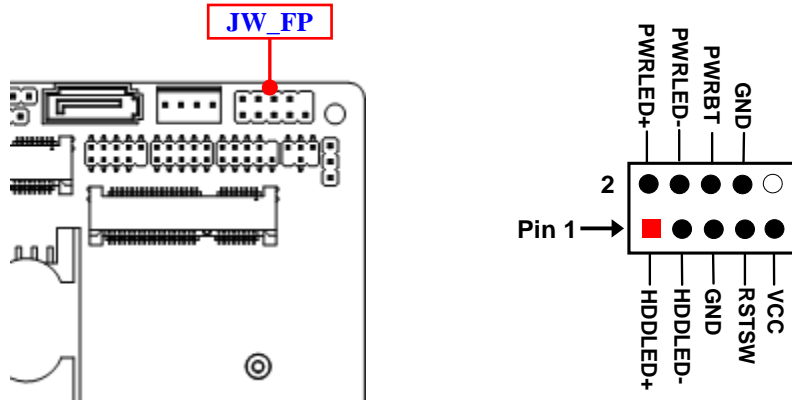
Warning: Make sure that Pin-1 of compatible SATA Power connector is inserted into corresponding Pin-1 of SATAPW to avoid possible damage to the board and hard disk driver!

(5) CPUFAN (4-pin): CPUFAN Connector

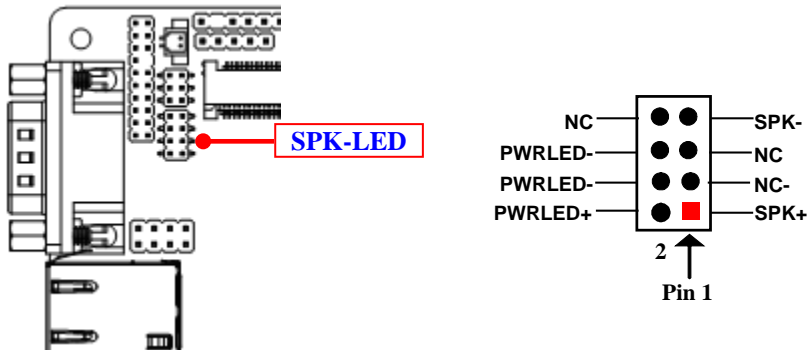


2-2-2 Headers

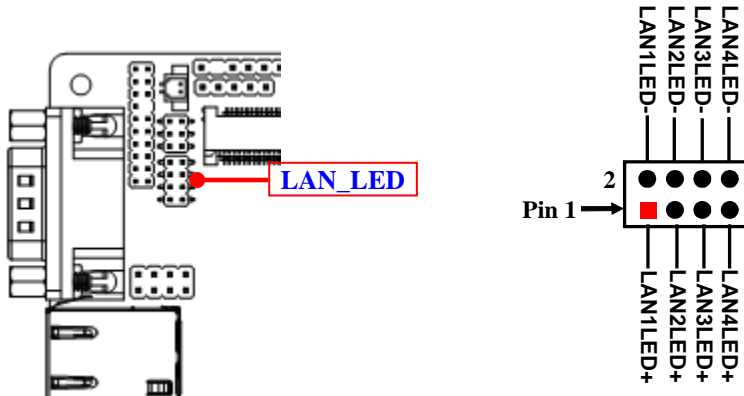
(1) JW_FP (9-pin): Front Panel Header



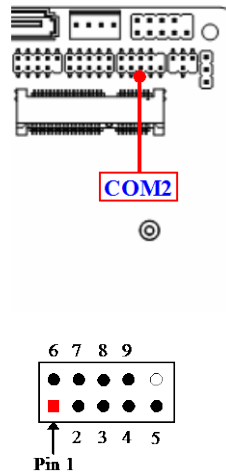
(2) SPK-LED (8-pin): Speaker & Power LED Header



(3) LAN_LED (8-pin): LAN Activity LED Header



(4) COM2 (9-pin): RS232/422/485 Serial Port Header

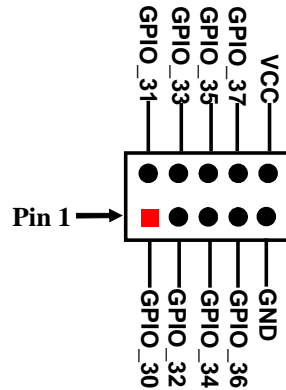
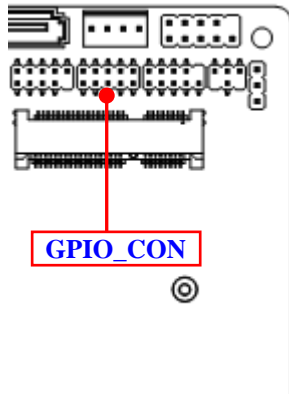


Pin NO.	RS232	RS422	RS485
Pin 1	DCD	TX-	DATA-
Pin 2	RXD	TX+	DATA+
Pin 3	TXD	RX+	NC
Pin 4	DTR	RX-	NC
Pin 5	GND	GND	GND
Pin 6	DSR	NC	NC
Pin 7	RTS	NC	NC
Pin 8	CTS	NC	NC
Pin 9	RI	NC	NC

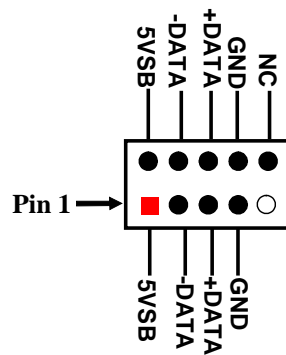
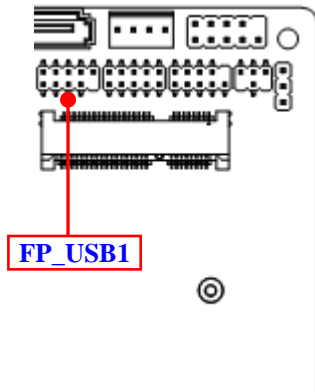
***Notice:** COM2 servers as RS232 serial port header in most cases. RS422 & RS485 function is only optional to customized models. User also needs to go to BIOS

to set '**Transmission Mode Select**' for COM2 as [RS422] or [RS485] for boards that support RS422/485 function before connecting compatible COM cable to COM2 header.

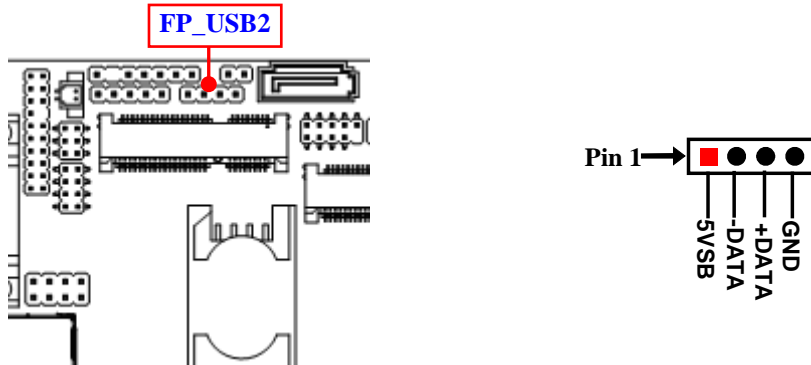
(5) GPIO_CON (10-pin): GPIO Header



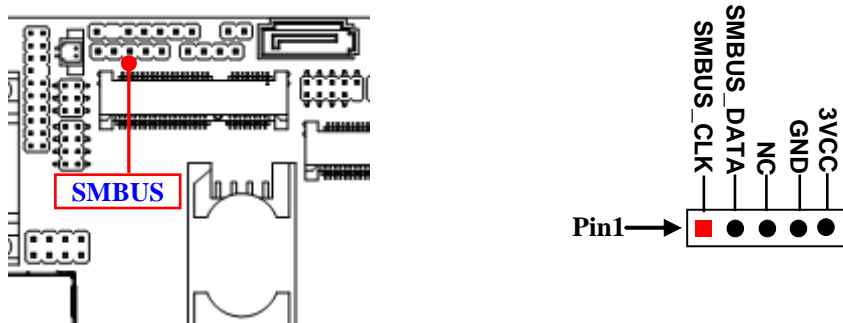
(6) FP_USB1 (9-pin): USB 2.0 Port Header



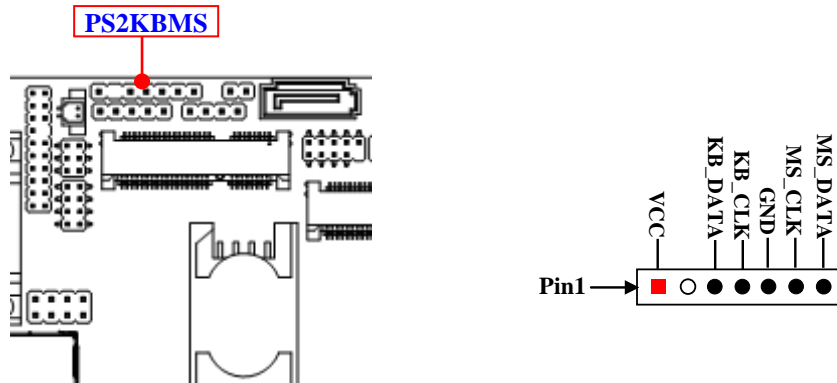
(7) FP_USB2 (4-pin): USB 2.0 Port Header



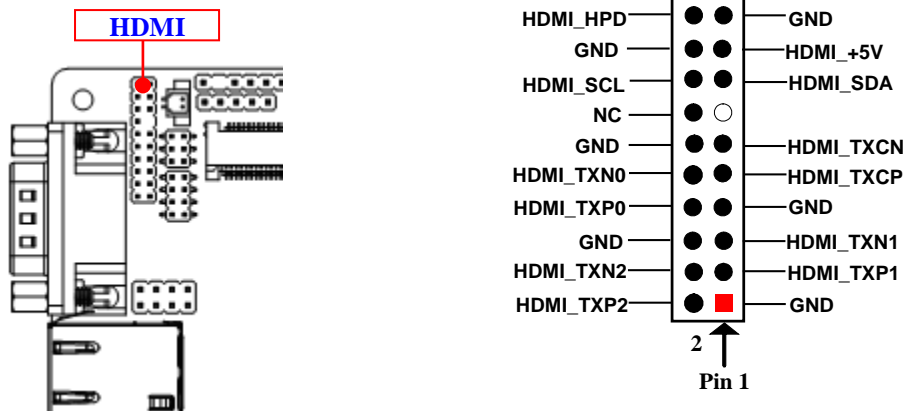
(8) SMBUS (5-Pin): SMBUS Header



(9) PS2KBMS (6-pin): PS2 Keyboard & Mouse Port Header



(10) HDMI(19-pin): HDMI Port Header



Chapter 3

Introducing BIOS

Notice! The BIOS options in this manual are for reference only. Different configurations may lead to difference in BIOS screen and BIOS screens in manuals are usually the first BIOS version when the board is released and may be different from your purchased motherboard. Users are welcome to download the latest BIOS version form our official website.

The BIOS is a program located on a Flash Memory on the motherboard. This program is a bridge between motherboard and operating system. When you start the computer, the BIOS program will gain control. The BIOS first operates an auto-diagnostic test called POST (power on self test) for all the necessary hardware, it detects the entire hardware device and configures the parameters of the hardware synchronization. Only when these tasks are completed done it gives up control of the computer to operating system (OS). Since the BIOS is the only channel for hardware and software to communicate, it is the key factor for system stability, and in ensuring that your system performance as its best.

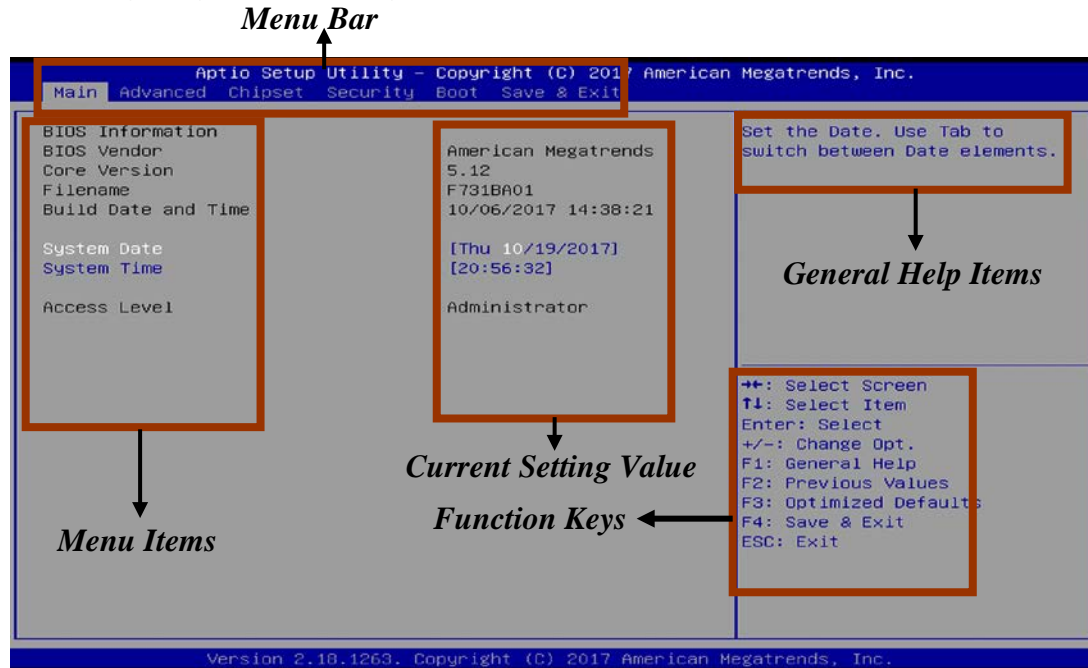
3-1 Entering Setup

Power on the computer and by pressing immediately allows you to enter Setup. If the message disappears before your respond and you still wish to enter Setup, restart the system to try again by turning it OFF then ON or pressing the “RESET” button on the system case. You may also restart by simultaneously pressing <Ctrl>, <Alt> and <Delete> keys. If you do not press the keys at the correct time and the system does not boot, an error message will be displayed and you will again be asked to

Press **** to enter Setup; press **< F7>** to enter pop-up Boot menu.

3-2 BIOS Menu Screen

The following diagram show a general BIOS menu screen:



3-3 Function Keys

In the above BIOS Setup main menu of, you can see several options. We will explain these options step by step in the following pages of this chapter, but let us first see a short description of the function keys you may use here:

- Press ←→ (left, right) to select screen;
- Press ↑↓ (up, down) to choose, in the main menu, the option you want to confirm or to modify.
- Press <Enter> to select.

-
-
- Press <+>/<-> keys when you want to modify the BIOS parameters for the active option.
 - **[F1]**: General help.
 - **[F2]**: Previous value.
 - **[F3]**: Optimized defaults.
 - **[F4]**: Save & Exit.
 - **[F7]**: To enter pop-up boot menu to select boot device.
 - Press <Esc> to quit the BIOS Setup.

3-4 Getting Help

Main Menu

The on-line description of the highlighted setup function is displayed at the top right corner the screen.

Status Page Setup Menu/Option Page Setup Menu

Press **[F1]** to pop up a small help window that describes the appropriate keys to use and the possible selections for the highlighted item. To exit the Help Window, press <Esc>.

3-5 Menu Bars

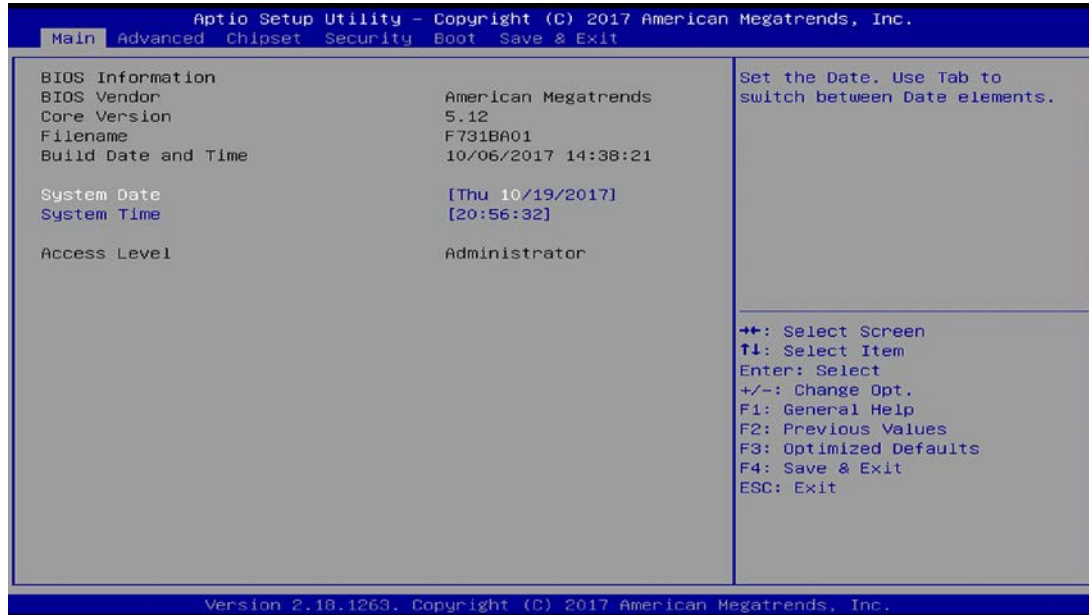
There are six menu bars on top of BIOS screen:

Main	To change system basic configuration
Advanced	To change system advanced configuration
Chipset	To change chipset configuration
Security	Password settings
Boot	To change boot settings
Save & Exit	Save setting, loading and exit options.

User can press the right or left arrow key on the keyboard to switch from menu bar. The selected one is highlighted.

3-6 Main Menu

Main menu screen includes some basic system information. Highlight the item and then use the <+> or <-> and numerical keyboard keys to select the value you want in each item.



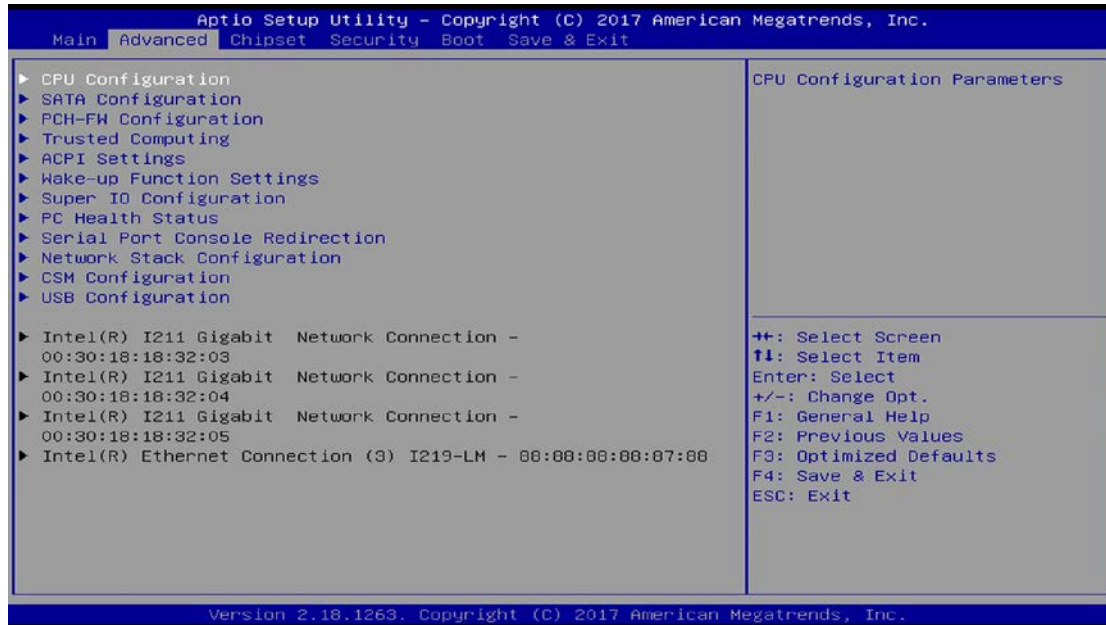
System Date

Set the date. Please use [Tab] to switch between data elements.

System Time

Set the time. Please use [Tab] to switch between time elements.

3-7 Advanced Menu



▶ CPU Configuration

Press [Enter] to view current CPU configuration and make settings for the following sub-items:

Intel Virtualization Technology

The optional settings: [Enabled]; [Disabled].

When set as [Enabled], a VMM can utilize the additional hardware capabilities provided by Vanderpool Technology.

Hardware Prefetcher

The optional settings are: [Disabled]; [Enabled].

Use this item to turn on/off the Mid Level Cache (L2) streamer prefetcher.

Adjacent Cache Line Prefetch

The optional settings are: [Disabled]; [Enabled].

Use this item to turn on/off prefetching of adjacent cache lines.

Intel(R) SpeedStep(tm)

Use this item to enable or disable Intel SpeedStep. When set as [Enabled], it allows more than two frequency ranges to be supported.

The optional settings: [Disabled]; [Enabled].

CPU C States

Use this item to enable or disable CPU Power Management. When set as [Enabled], it allows CPU to go to C states when it's not 100% utilized.

The optional settings: [Disabled]; [Enabled].

Package C State Limit

Use this item to select maximum package C State Limit setting.

The optional settings: [C0/C1]; [C2]; [C3]; [C6]; [C7]; [C7S]; [C8]; [C9]; [C10]; [Cpu Default]; [Auto].

▶ **SATA Configuration**

Press [Enter] to make settings for the following sub-items:

SATA Controller(s)

The optional settings are: [Enabled]; [Disabled].

When set as [Enabled], the following items shall appear:

SATA Mode Selection

This item determines how SATA controller(s) operate.

The default setting is: [AHCI].

mSATA

Port

The optional settings are: [Enabled]; [Disabled].

SATA

Port

The optional settings are: [Enabled]; [Disabled].

Hot Plug

The optional settings are: [Enabled]; [Disabled].

▶ **PCH-FW Configuration**

Press [Enter] to view ME information and make settings in the following sub-items:

TPM Device Selection

Use this item to select TPM device.

The optional settings are: [dTPM]; [PTT].

▶ **Firmware Update Configuration**

Press [Enter] to make settings for '**ME FW Image RE-Flash**'.

ME FW Image Re-Flash

Use this item to enable or disable ME FW Image Re-Flash function.

The optional settings: [Disabled]; [Enabled].

** In the case that user needs to update ME firmware, user should set '**ME FW Image Re-Flash**' as **[Enabled]**, save the settings and exit. The system will turn off and reboot after 4 seconds. If the user goes to BIOS screen again will find this item is set again as **[Disabled]**, but user can still re-flash to update firmware next time.*

▶ **Trusted Computing**

Press [Enter] to enable or disable '**Security Device Support**'.

Security Device Support

Use this item to enable or disable BIOS support for security device.

The optional settings: [Disabled]; [Enabled].

▶ **ACPI Settings**

Press [Enter] to make settings for the following sub-item:

ACPI Settings

ACPI Sleep State

Use this item to select the highest ACPI sleep state the system will enter when the suspend button is pressed.

The optional settings are: [Suspend Disabled]; [S3 (Suspend to RAM)].

▶ **Wake-up Function Settings**

Press [Enter] to make settings for the following sub-items:

Wake-up System with Fixed Time

Use this item to enable or disable system wake on alarm event.

The optional settings: [Disabled]; [Enabled].

When set as [Enabled], system will wake on the hour/min/sec specified.

Wake-up System with Dynamic Time

Use this item to enable or disable system wake on alarm event.

System will wake on the current time + Increase minutes.

The optional settings: [Disabled]; [Enabled].

When set as [Enabled], system will wake on the current time + increased minute(s).

PS2(S3-S5) / USB(S3-S4)Wake-up

Use this item to enable or disable USB Wake-up from S3-S4 and PS/2 device wake up from S3-S5.

USB S5 Power

Use this item to enable or disable USB power after power shutdown.

* **Note:** This function is supported when '**ERP Support**' is set as [Disabled].

▶ Super I/O Configuration

Press [Enter] to make settings for the following sub-items:

Super IO Configuration

ERP Support

The optional settings: [Disabled]; [Auto].

This item should be set as [**Disabled**] if you wish to have all active wake-up functions.

▶ Serial Port 1 Configuration

Press [Enter] to make settings for the following items:

Serial Port

Use this item to enable or disable serial port (COM).

Change Settings

Use this item to select an optimal setting for super IO device.

The optional settings are: [IO=3F8h; IRQ=4]; [IO=3F8h; IRQ=3,4,5,6,7, 9,10,11,12]; [IO=2F8h; IRQ=3,4,5,6,7, 9,10,11,12]; [IO=3E8h; IRQ=3,4,5,6,7, 9,10,11,12]; [IO=2E8h; IRQ=3,4,5,6,7,9,10,11,12].

Serial Port FIFO Mode

The optional settings are: [16-Byte FIFO]; [32-Byte FIFO]; [64-Byte FIFO]; [128-Byte

FIF0].

► **Serial Port 2 Configuration**

Press [Enter] to make settings for the following sub-items:

Serial Port

Use this item to enable or disable serial port (COM).

Change Settings

Use this item to select an optimal setting for super IO device.

The optional settings are: [IO=2F8h; IRQ=3]; [IO=3F8h; IRQ=3,4,5,6,7, 9,10,11,12]; [IO=2F8h; IRQ=3,4,5,6,7, 9,10,11,12]; [IO=3E8h; IRQ=3,4,5,6,7, 9,10,11,12]; [IO=2E8h; IRQ=3,4,5,6,7, 9,10,11,12].

Transmission Mode Select

The optional settings are: [RS422]; [RS232]; [RS485].

Mode Speed Select

The optional settings are: [RS232/RS422/RS485=250kbps]; [RS232=1Mbps, RS422/RS485=10Mbps].

Serial Port FIF0 Mode

The optional settings are: [16-Byte FIF0]; [32-Byte FIF0]; [64-Byte FIF0]; [128-Byte FIF0].

WatchDog Reset Timer

Use this item to enable or disable WDT reset function. When set as [Enabled], the following sub-items shall appear:

WatchDog Reset Timer Value

User can set a value in the range of [4] to [255].

WatchDog Reset Timer Unit

The optional settings are: [Sec.]; [Min.].

WatchDog Wake-up Timer in ERP

This item support WDT wake-up while '**ERP Support**' is set as [Auto].

The optional settings: [Disabled]; [Enabled].

When set as [Enabled], the following sub-items shall appear:

WatchDog Timer Value in ERP

User can select a value in the range of [10] to [4095] seconds when '**WatchDog Reset Timer Unit**' set as [Sec]; or in the range of [1] to [4095] minutes when '**WatchDog Reset Timer Unit**' set as [Min].

WatchDog Reset Timer Unit

The optional settings are: [Sec.]; [Min.].

ATX Power Emulate AT Power

This item support Emulate AT power function, MB power On/Off control by power supply. Use needs to select 'AT or ATX Mode' on MB jumper at first (refer to **Page-7: AT_MODE** jumper for ATX Mode & AT Mode Select).

Case Open Detect

Use this item to detect case has already open or not, show message in POST.

▶ **PC Health Status**

Press [Enter] to view current hardware health status, set shutdown temperature, or make further settings in '**SmartFan Configuration**'.

▶ **SmartFan Configuration**

Press [Enter] to make settings for SmartFAN Configuration:

SmartFAN Configuration

CPUFAN Smart Mode

The optional settings are: [Disabled]; [Enabled].

When set as [Enabled], the following sub-items shall appear:

CPUFAN Full-Speed Temperature

Use this item to set CPUFAN full speed temperature. Fan will run at full speed when above the pre-set temperature.

CPUFAN Full-Speed Duty

Use this item to set CPUFAN full speed duty. Fan will run at full speed when above the pre-set duty.

CPUFAN Idle-Speed Temperature

Use this item to set CPUFAN idle speed temperature. Fan will run at idle speed when below the pre-set temperature.

CPUFAN Idle-Speed Duty

Use this item to set CPUFAN idle speed duty. Fan will run at idle speed when below the pre-set duty.

Shutdown Temperature

Use this item to select system shutdown temperature.

The optional settings are: [Disabled]; [70° C/156° F]; [75° C/164° F]; [80° C/172° F]; [85° C/180° F]; [90° C/188° F].

▶ **Serial Port Console Redirection**

Press [Enter] to make settings for the following sub-items:

COM1

Console Redirection

Use this item to enable or disable COM1 Console Redirection.

The optional settings are: [Disabled]; [Enabled].

*When set as [Enabled], user can make further settings in the ‘**Console Redirection Settings**’ screen:*

▶ **Console Redirection Settings**

The settings specify how the host computer and the remote computer (which the user is using) will exchange data. Both computers should have the same or compatible settings.

Press [Enter] to make settings for the following sub-items.

Terminal Type

The optional settings are: [VT100]; [VT100+]; [VT-UTF8]; [ANSI].

Bits per second

The optional settings are: [9600]; [19200]; [38400]; [57600]; [115200].

Data Bits

The optional settings are: [7]; [8].

Parity

The optional settings are: [None]; [Even]; [Odd]; [Mark]; [Space].

Stop Bits

The optional settings are: [1]; [2].

Flow Control

The optional settings are: [None]; [Hardware RTS/CTS].

VT-UTF8 Combo Key Support

The optional settings are:[Disabled]; [Enabled].

Recorder Mode

The optional settings are: [Disabled]; [Enabled].

Resolution 100x31

The optional settings are:[Disabled]; [Enabled].

Legacy OS Redirection Resolution

The optional settings are: [80x24]; [80x25].

Putty Keypad

The optional settings are: [VT100]; [LINUX]; [XTERMR6]; [SCO]; [ESCN]; [VT400].

Redirection After BIOS POST

The optional settings are: [Always Enable]; [BootLoader].

Serial Port for Out-of-Band Management/

Windows Emergency Management Services (EMS)

Console Redirection

The optional settings: [Disabled]; [Enabled].

When set as [Enabled], user can make further settings in '**Console Redirection Settings**':

▶ Console Redirection Settings

The settings specify how the host computer and the remote computer (which the user is using) will exchange data. Both computers should have the same or compatible settings.

Press [Enter] to make settings for the following sub-items.

Out-of-Band Mgmt Port

The optional settings are: [COM1]; [COM1(Pci Bu0, Dev0, Func0) (Disabled)].

Terminal Type

The optional settings are: [VT100]; [VT100+]; [VT-UTF8]; [ANSI].

Bits per second

The optional settings are: [9600]; [19200]; [57600]; [115200].

Flow Control

The optional settings are: [None]; [Hardware RTS/CTS]; [Software Xon/Xoff].

Data Bits

The default setting is: [8].

**This item may or may not show up, depending on different configuration.*

Parity

The default setting is: [None].

**This item may or may not show up, depending on different configuration.*

Stop Bits

The default setting is: [1].

**This item may or may not show up, depending on different configuration.*

▶ **Network Stack Configuration**

Press [Enter] to go to '**Network Stack**' screen to enable or disable UEFI Network Stack.

Network Stack

The optional settings are: [Enabled]; [Disabled].

When set as [Enabled], the following sub-items shall appear:

Ipv4 PXE Support

The optional settings are: [Disabled]; [Enabled].

Use this item to enable Ipv4 PXE Boot Support. When set as [Disabled], Ipv4 boot option will not be created.

Ipv4 HTTP Support

The optional settings are: [Disabled]; [Enabled].

Use this item to enable Ipv4 HTTP Boot Support. When set as [Disabled], Ipv4 HTTP boot option will not be created.

Ipv6 PXE Support

The optional settings are: [Disabled]; [Enabled].

Use this item to enable Ipv6 PXE Boot Support. When set as [Disabled], Ipv6 boot optional will not be created.

Ipv6 HTTP Support

The optional settings are: [Disabled]; [Enabled].

Use this item to enable Ipv6 HTTP Boot Support. When set as [Disabled], Ipv6 HTTP boot option will not be created.

PXE boot wait time

Use this item to set wait time to press [ESC] key to abort the PXE boot.

Media Detect Count

Use this item to set number of times presence of media will be checked. The optional settings range from [1] to [50].

▶ **CSM Configuration**

Press [Enter] to make settings for the following sub-items:

Option ROM execution

Network

This item controls the execution of UEFI and Legacy PXE OpROM.

The optional settings are: [Do Not Launch]; [Legacy].

Storage

This option controls the execution of UEFI and Legacy Storage OpROM.

The optional settings are: [Do Not Launch]; [UEFI]; [Legacy].

Other PCI Devices

This item determines OpROM execution policy for devices other than Network, storage or video.

The optional settings are: [Do Not Launch]; [UEFI]; [Legacy].

▶ **USB Configuration**

Press [Enter] to make settings for the following sub-items:

USB Configuration

Legacy USB Support

The optional settings are: [Enabled]; [Disabled]; [Auto].

[Enabled]: To enable legacy USB support.

[Disabled]: To keep USB devices available only for EFI specification,

[Auto]: To disable legacy support if no USB devices are connected.

XHCI Hand-off

This is a workaround for Oses without XHCI hand-off support. The XHCI ownership change should be claimed by XHCI driver.

The optional settings are: [Enabled]; [Disabled].

USB Mass Storage Driver Support

The optional settings are: [Disabled]; [Enabled].

USB hardware delay and time-outs:

USB Transfer time-out

Use this item to set the time-out value for control, bulk, and interrupt transfers.

The optional settings are: [1 sec]; [5 sec]; [10 sec]; [20 sec].

Device reset time-out

Use this item to set USB mass storage device start unit command time-out.

The optional settings are: [10 sec]; [20 sec]; [30 sec]; [40 sec].

Device power-up delay

Use this item to set maximum time the device will take before it properly reports itself to the host controller. 'Auto' uses default value: for a root port it is 100 ms, for a hub port the delay is taken from hub descriptor.

The optional settings: [Auto]; [Manual].

Select [Manual] you can set value for the following sub-item: '**Device Power-up Delay in Seconds**'.

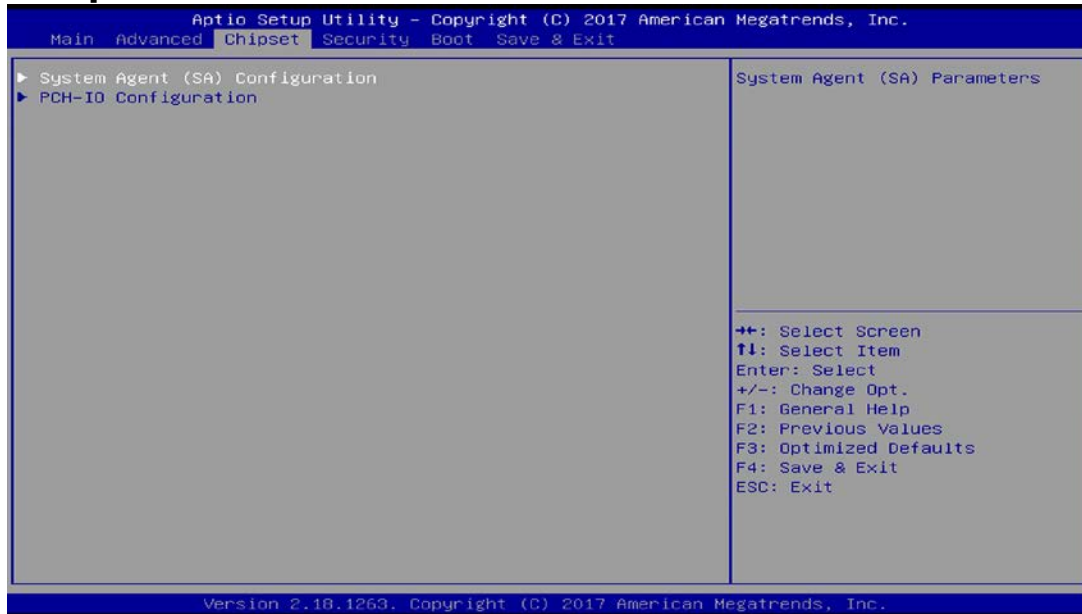
Device Power-up Delay in Seconds

The delay range is from [1] to [40] seconds, in one second increments.

- ▶ **/Intel(R) I211 Gigabit Network Connection- XX:XX:XX:XX:XX:XX/.../Intel(R) Ethernet Connection(3) I219-LM - XX:XX:XX:XX:XX:XX**

These items show current networks' information.

3-8 Chipset Menu



▶ System Agent (SA) Configuration

Press [Enter] to make settings for the following sub-items:

VT-d

Use this item to enable or disable VT-d capability.

The optional settings are: [Enabled]; [Disabled].

* *This item might not be available depending on configuration.*

▶ Graphics Configuration

Press [Enter] to for user to view IGFX basic information or make further settings for graphics configuration.

Graphics Configuration

GTT Size

The optional settings are: [2MB]; [4MB]; [8MB].

Aperture Size

The optional settings are: [128MB]; [256MB]; [512MB]; [1024MB].

DVMT Pre-Allocated

Use this item to select DVMT 5.0 pre-allocated (fixed) graphics memory size used by the internal graphics device.

The optional settings are: [32M]; [64M]; [96M]; [128M]; [160M]; [192M]; [224M]; [256M]; [288M]; [320M]; [352M]; [384M]; [416M]; [448M]; [480M]; [512M]; [1024MB]; [1538MB]; [2048MB]; [4M]; [8M]; [12M]; [16M]; [20M]; [24M]; [28M]; [32M/F7]; [36M]; [40M]; [44M]; [48M]; [52M]; [56M]; [60M].

DVMT Total Gfx Mem

Use this item to select DVMT 5.0 total graphics memory size used by the internal graphics device.

The optional settings are: [128M]; [256M]; [MAX].

▶ Memory Configuration

Press [Enter] to view current memory configuration.

▶ PCH-IO Configuration

Press [Enter] to make settings for the following sub-items:

eMMC Controller

Use this item to enable or disable eMMC controller.

The optional settings are: [Disabled]; [Enabled].

USB Controller

Use this item to enable or disable this USB physical connector (physical port). Once disabled, any USB devices plugged into this connector will not be detected by BIOS or OS.

The optional settings are: [Disabled]; [Enabled].

Onboard Lan1 Controller

Use this item to enable or disable Lan1 onboard NIC.

The optional settings are: [Enabled]; [Disabled].

When '**Onboard Lan1 Controller**' set as [Enabled], the following sub-items shall appear:

Wake on LAN

Use this item to enable or disable integrated LAN to wake the system

The optional settings are: [Enabled]; [Disabled].

Onboard Lan2/3/4 Controller

Use this item to enable or disable Lan2/3/4 device or controller.

The optional settings are: [Enabled]; [Disabled].

MPE1 Slot

Use this item to enable or disable device or controller.

The optional settings are: [Disabled]; [Enabled].

Speed

The optional settings are: [Auto]; [Gen1]; [Gen2]; [Gen3].

MPE2 Slot

Use this item to enable or disable device or controller.

The optional settings are: [Disabled]; [Enabled].

Speed

The optional settings are: [Auto]; [Gen1]; [Gen2]; [Gen3].

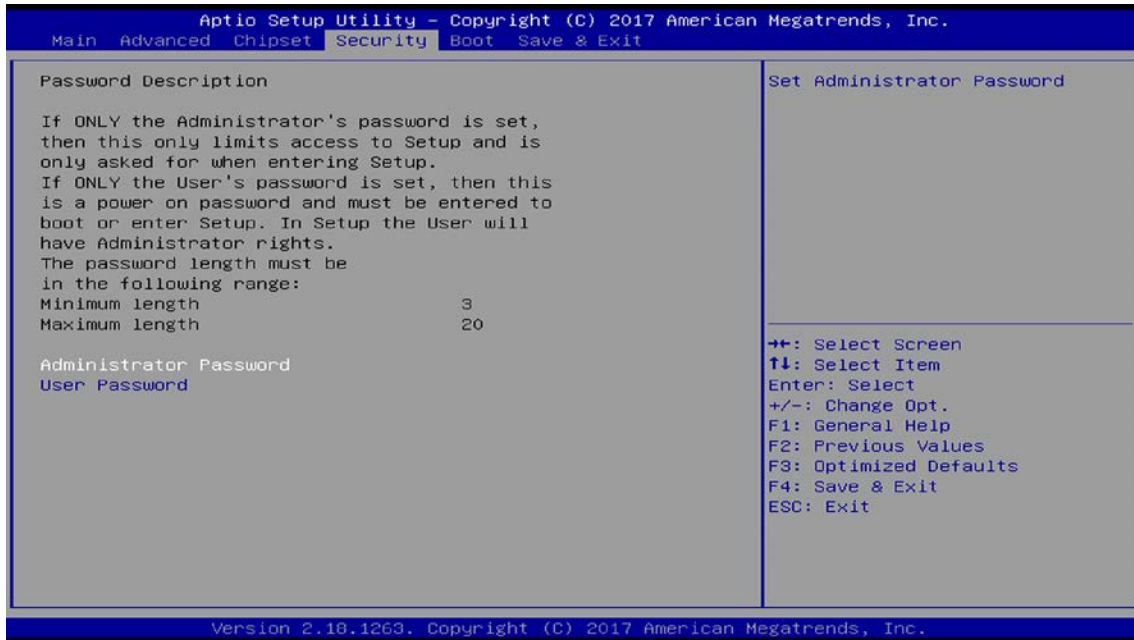
System State After Power Failure

Use this item to specify what state to go to when power is re-applied after a power loss (G3 State).

The optional settings are: [Always On]; [Always Off]; [Former State].

** The option [Always On] and [Former State] are affected by ERP function. Please disable '**ERP Support**' to support [Always On] and [Former State] function.*

3-9 Security Menu



Security menu allow users to change administrator password and user password settings.

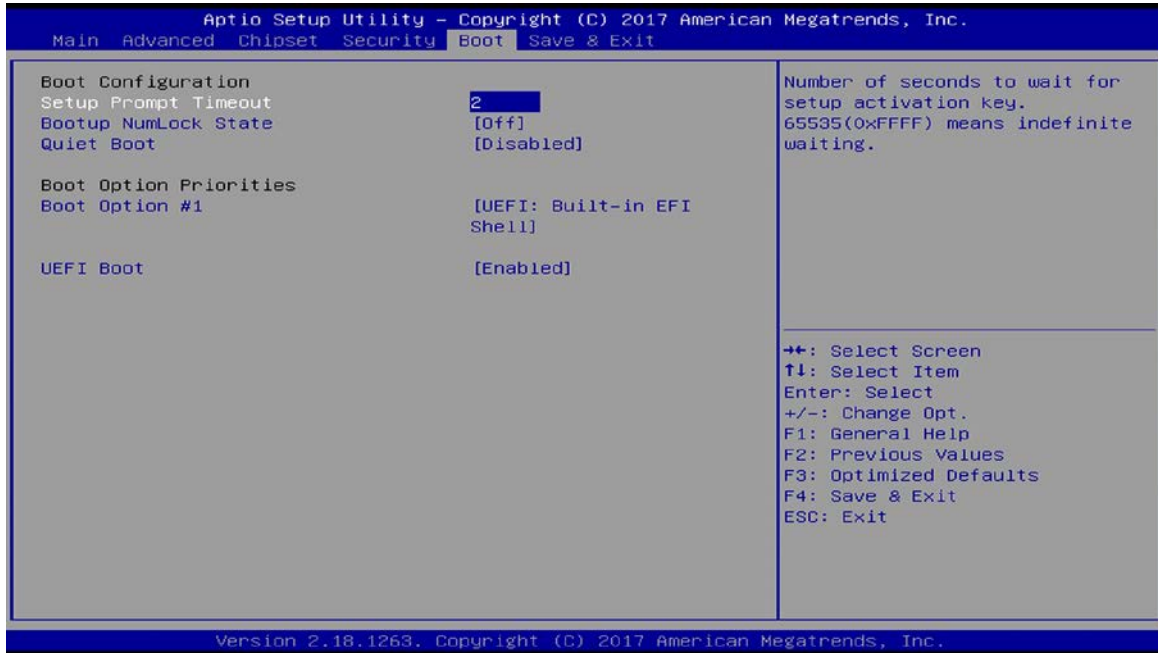
Administrator Password

Press [Enter] to create new administrator password. Press again to confirm the new administrator password.

User Password

Press [Enter] to create new user password. Press again to confirm the new user password.

3-10 Boot Menu



Boot Configuration

Setup Prompt Timeout

Use this item to set number of seconds to wait for setup activation key.

Bootup Numlock State

Use this item to select keyboard numlock state.

The optional settings are: [On]; [Off].

Quiet Boot

The optional settings are: [Disabled]; [Enabled].

Boot Option Priorities

Boot Option #1/ Boot Option #2...

Use this item to decide system boot order from available options.

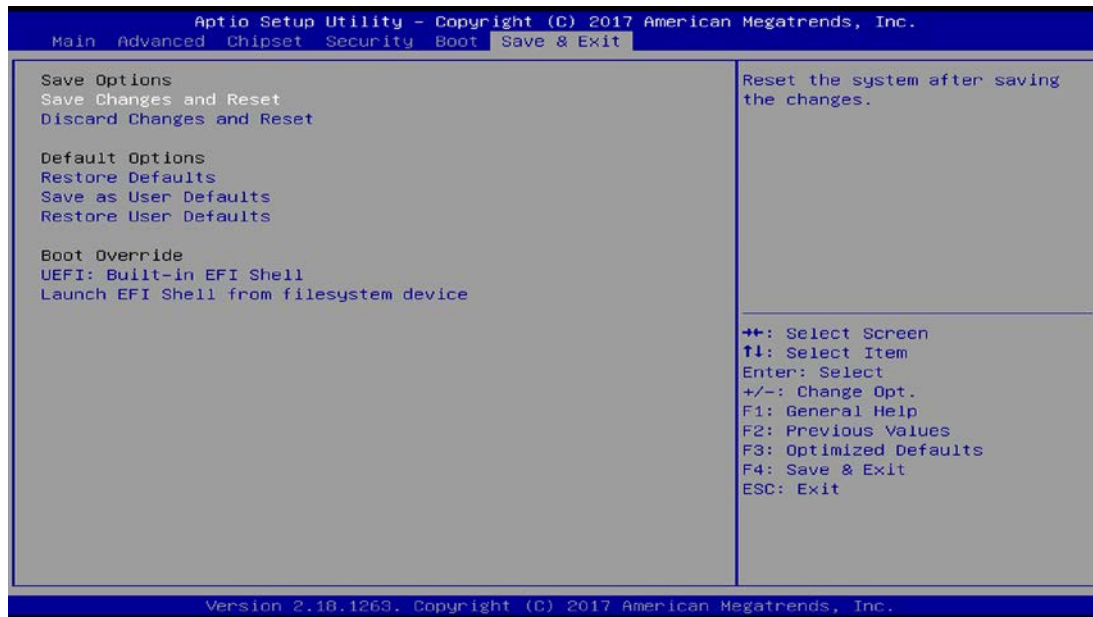
UEFI Boot

The optional settings are: [Disabled]; [Enabled].

[Enabled]: To enable all UEFI boot options.

[Disabled]: To disabled all UEFI boot options.

3-11 Save & Exit Menu



Save Options

Save Changes and Reset

This item allows user to reset the system after saving the changes.

Discard Changes and Reset

This item allows user to reset the system without saving any changes.

Default Options

Restore Defaults

Use this item to restore /load default values for all the setup options.

Save as User Defaults

Use this item to save the changes done so far as user defaults.

Restore User Defaults

Use this item to restore defaults to all the setup options.

Boot Override**UEFI: Built-in EFI Shell**

Launch Internal EFI shell application (shell.efi).

Launch EFI Shell from filesystem device

Use this item to launch EFI shell application (shell.efi) from one of the available filesystem device.