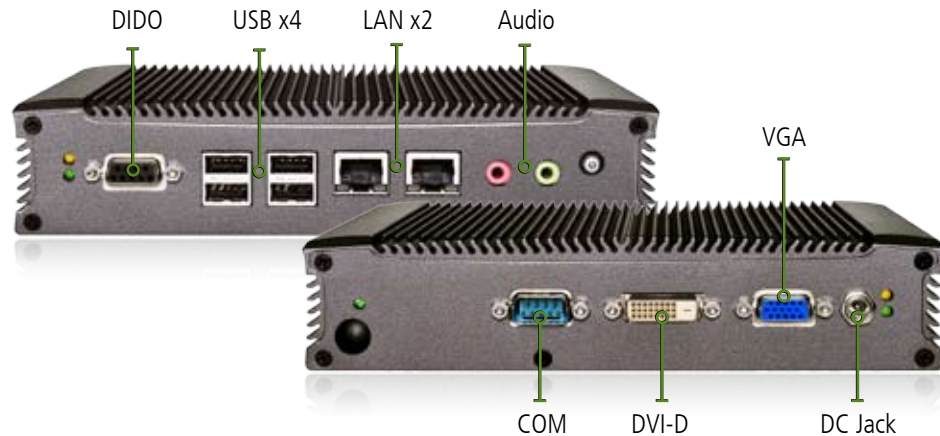


# LEC-7020

## Small Form Factor IPC with Intel® Atom™ N270



### Features

#### Integrated SIM card reader

Integrated in a mini-PCIe slot, the SIM card readers allow for users to enable 3G use for their IPC.

#### Intel® Atom™ N270

Single core Intel Atom N270 features 1.6GHz clock speed and a 512KB cache. It utilizes 2.5W of power.

#### Extreme operating temperature

This product is ruggedized to support a wider than usual range of temperatures. Outfitted with industrial components (HDD/SSD, CF, Memory) this appliance can thrive in harsh conditions.

#### Dust proof design

Solid chassis design with a fanless interior allows for this product to be completely dustproof when installed correctly, insuring longevity of the product.

#### Screw-locked power plug

This power plug is made to screw directly into the appliance chassis, allowing secure power connection in even the harshest of settings.

#### Fanless

This IPCs lifespan has been extended by removing the most easily damaged component, the fan.

### LED indicators

LED indicators makes it easy to check working status.

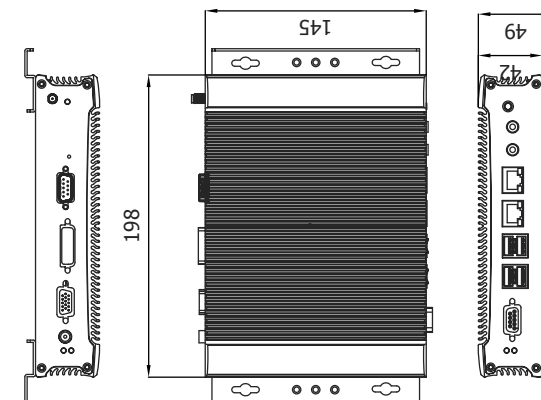
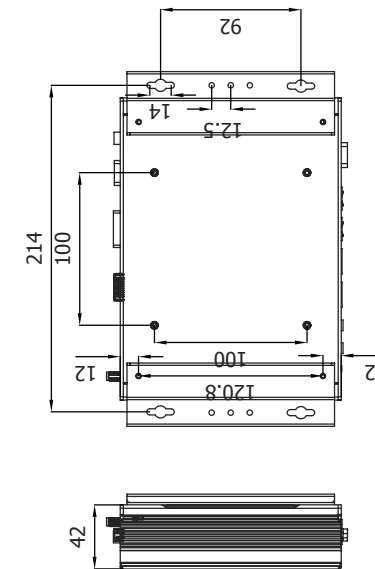
### Cable-free interior

The interior of this product contains no wires, making this industrial product as rugged as possible.

### Multiple display ports

This platform comes with multiple video-out ports to allow easy integration with any signage set-up.

### Dimensions



## Specifications

|                                    |                            |  |
|------------------------------------|----------------------------|--|
| <b>Dimensions (WxHxD)</b>          |                            | 198x42x145mm (7.80"x1.65"x5.71")                               |
| <b>Processor</b>                   |                            | Intel Atom N270 (1.6GHz)                                       |
| <b>Chipset</b>                     |                            | Intel 945GSE + ICH7M   |
| <b>System Memory</b>               | Technology                 | DDR2 SODIMM x1   |
|                                    | Max. Capacity              | Up to 2GB  |
| <b>Storage</b>                     | IDE                        | CF socket Type I/II x1   |
|                                    | SATA                       | 2.5" SSD/HDD drive bay x1                                      |
| <b>Ethernet Controller</b>         |                            | Realtek RTL8111D x2  |
| <b>Graphic Controller</b>          |                            | Intel Integrated Graphics Media Accelerator 950                |
| <b>Audio Controller</b>            |                            | Realtek ALC888s/886 x1   |
| <b>IO</b>                          | LAN                        | GbE RJ45 x2  |
|                                    | Display                    | DB15 x1 for VGA<br>DVI-D x1                                    |
|                                    | Video Grabber              | N/A  |
|                                    | Audio                      | Phone Jack x2 for Mic-in and Line-Out                          |
|                                    | Serial I/O                 | DB9 x1 supports RS232  |
|                                    | GPS                        | N/A  |
|                                    | Digital I/O                | DB9 Female x1 for DI x4 & DO x4 (5V TTL)                       |
|                                    | USB 2.0                    | Type A x4  |
|                                    | Power Input                | DC jack w/ lock  |
|                                    | Expansion                  | Mini-PCIe x1 (one with SIM card reader)                        |
|                                    | Others                     | External: Power-On Button, SMA Antenna Hole<br>Internal: Reset |
| <b>Power Input</b>                 |                            | +12Vdc +/-5%, ATX Mode   |
| <b>AC Adapter</b>                  |                            | 60W +12V @ 5A  |
| <b>Hardware Monitor</b>            |                            | Winbond W83627UHG Integrated Watchdog Timer 1~255 level        |
| <b>OS Support</b>                  |                            | Linux, XPE/WES2009, XP Pro FES, WS7E, WS7P, Win 7 Pro FES      |
| <b>Certifications</b>              |                            | CE, FCC Class A  |
| <b>Compliance</b>                  |                            | N/A  |
| <b>Operating Temperature Range</b> | With Industrial Components | -10~55°C/14~131°F  |
|                                    | With Commercial Components | -5~45°C / 23~113°F   |

## Ordering Information

|           |   |
|-----------|---|
| LEC-7020D | Intel Atom N270 1.6Ghz CPU, w/ 1 COM, DVI-D/ VGA Display, Dual GbE, Audio, DIO (4in 4 Out), +12V DC (ATX) |
|-----------|---|

## Standard Accessories

|                      |  |
|----------------------|--|
| <b>080W1N2201001</b> | SATA SSD / HDD cable w/ power          |
| <b>0P0W060120001</b> | AC Adapter 60W 12V/5A, DC jack w/ Lock |

## Optional Power Cords

|                      |                        |
|----------------------|------------------------|
| <b>080W240318306</b> | US Power Cord          |
| <b>080W240318305</b> | Schuko (EU) Power Cord |
| <b>080W240318301</b> | UK Power Cord          |
| <b>080W240318307</b> | China Power Cord       |
| <b>080W240318309</b> | Japan Power Cord       |

## Optional Mounting Brackets

|                      |                |
|----------------------|----------------|
| <b>SE9ESA900R100</b> | Wall Mount - 4 |
| <b>PE9ESA8300100</b> | VESA Mount     |
| <b>SE9ESA831R100</b> | Rack Mount     |
| <b>090W405000001</b> | DIN Rail Mount |

## Optional Accessories

|                       |                     |                                      |
|-----------------------|---------------------|--------------------------------------|
| <b>0TAW E34600Z01</b> | <b>3G Module</b>    | Novatel E346 (**MOQ 50)              |
| <b>0TAW Q802XKZ02</b> | <b>Wi-Fi Module</b> | 802.11 b/g/n Mini-PCIe card          |
| <b>080W1Q0001501</b>  | <b>Antenna</b>      | Internal Wi-Fi Antenna Cable         |
| <b>0TZW000000039</b>  | <b>Antenna</b>      | SMA Antenna, male jack / female plug |