



HBFCU792X Series

Intel® Skylake/Kabylake U-series Processor, Dual-channel DDR4 2133MHz up to 32GB



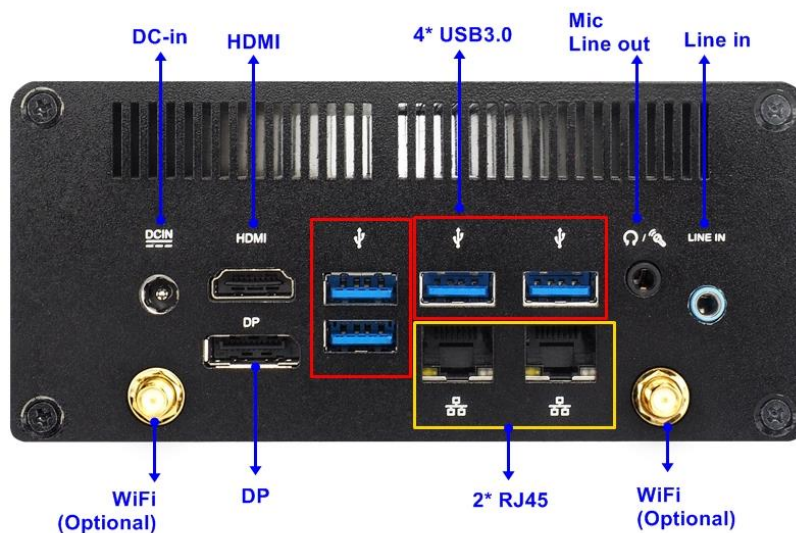
1. Intel® Skylake/Kabylake U-series Processor (15W)
2. 2 * 260-pin Dual-channel DDR4 2133MHz SODIMM up to 32 GB
3. 2 * USB2.0, 6 * USB3.0, 1 * COM, 1 * DP, 1 * HDMI, 2 * RJ45, 1 * Line-in, 1 * MIC+Line out Combo
4. M/B Form Factor : uTX (117x112mm)
5. DC-12V_40W Adapter



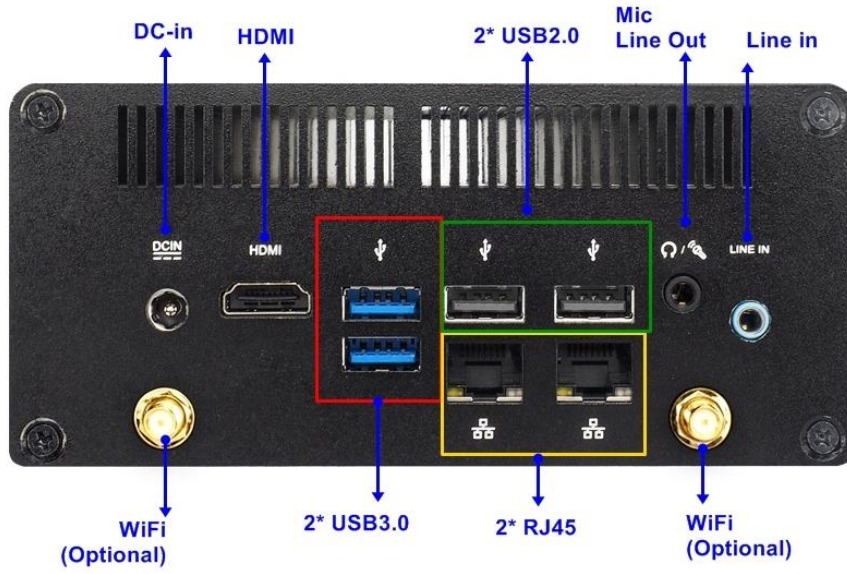
External I/O

Rear

HBFCU792C(W)-7100-B

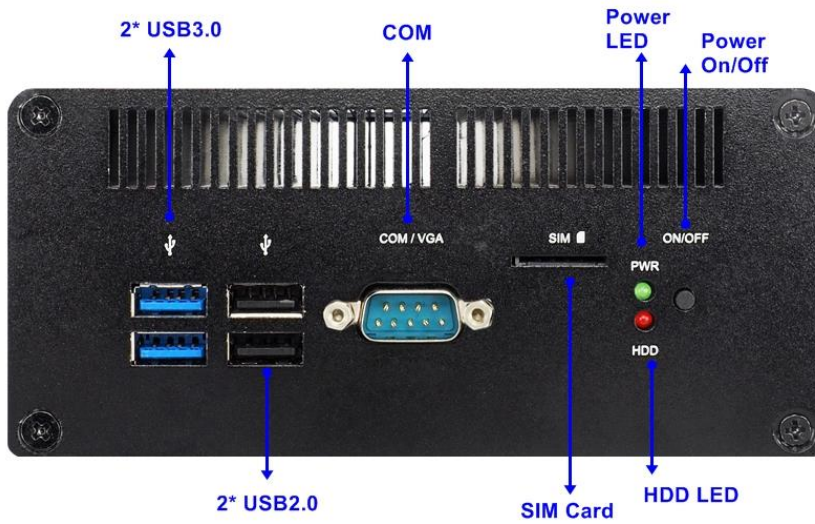


HBFCU792V(W)-3865-B

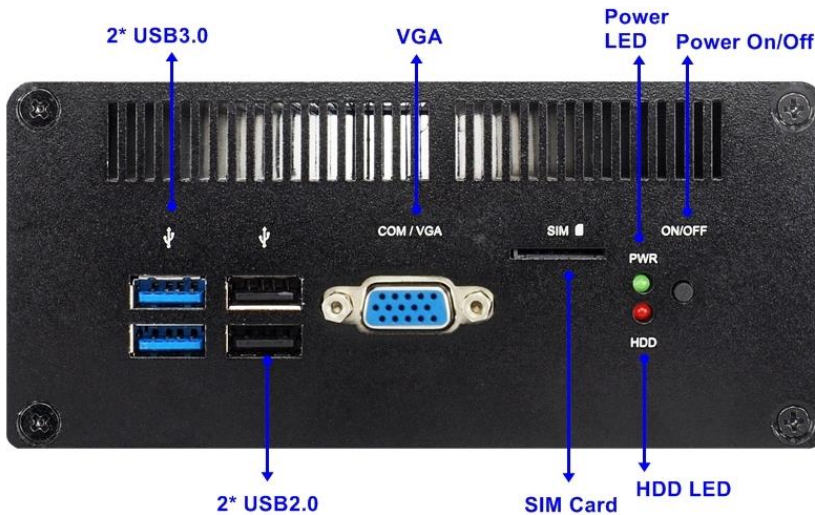


Front

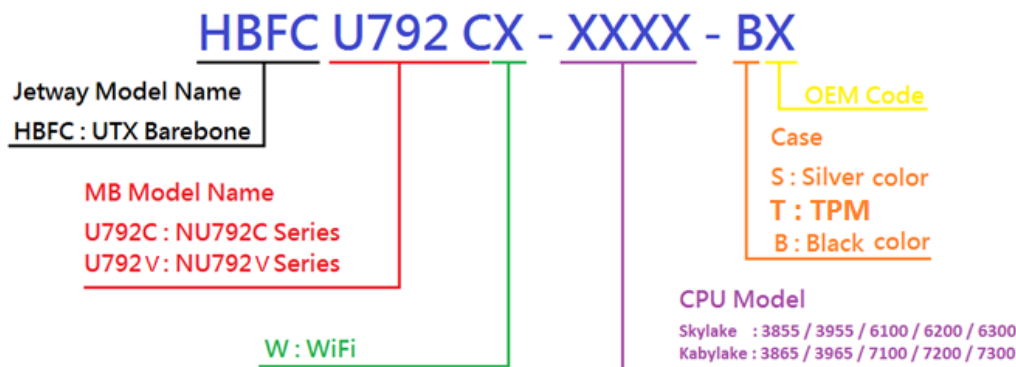
HBFCU792C(W)-7100-B



HBFCU792V(W)-3865-B



Part Number Rule



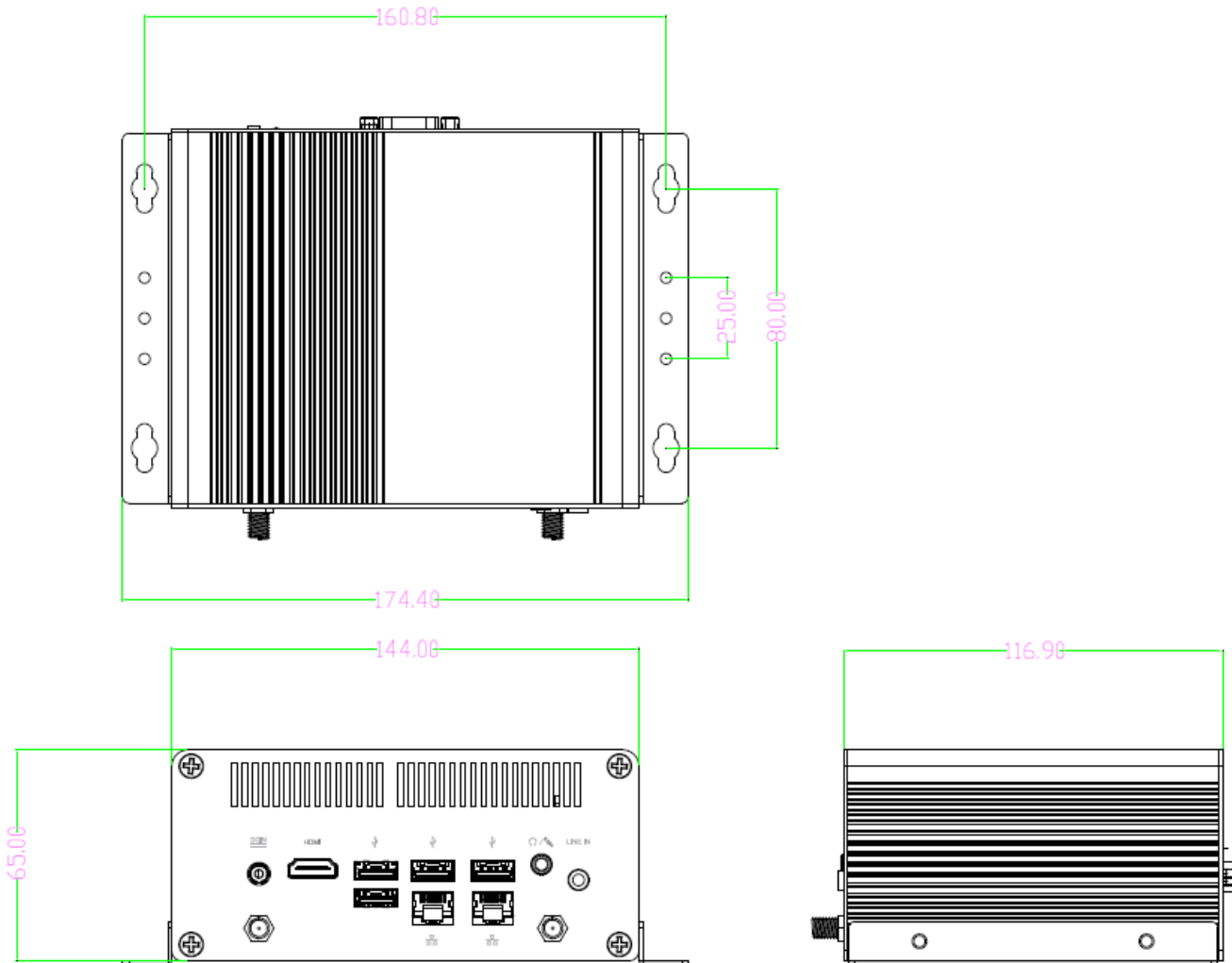
Specifications

MB Model	<ul style="list-style-type: none"> ● JNU792C-7100 _Core i3-7100U Processor ● JNU792V-3965 uTX _Celeron 3965U Processor
Part No	<ul style="list-style-type: none"> ● COM series: HBFCU792C-7100-B / HBFCU792CW-7100-B ● COM + TPM2.0 series: HBFCU792C-7100-T / HBFCU792CW-7100-T ● VGA series: HBFCU792V-3965-B / HBFCU792VW-3965-B ● VGA + TPM2.0 series: HBFCU792V-3965-T / HBFCU792VW-3965-T
BIOS	<ul style="list-style-type: none"> ● AMI 16MB SMT Flash ROM
CPU/Chipset	<ul style="list-style-type: none"> ● Intel® Skylake/Kabylake U-series Processor (TDP 15W) <p>Notes: When the system runs, CPU will automatically adjust its working clock frequency according to changing workload.</p>
Memory	<ul style="list-style-type: none"> ● 2 * 260-pin Dual-channel DDR4 2133MHz SO-DIMM up to 32 GB
Storage	<ul style="list-style-type: none"> ● 1 * 2.5" SATAIII 6Gb/s internal drive bay ● 1 * full-size mSATA/Mini-PCIe shared slot
Network	<ul style="list-style-type: none"> ● 1 * Intel i211AT GbE, 1 * Intel i219LM GbE ● 1 * half-size Mini-PCIe slot (for WiFi model installed)
Rear Panel I/O	<ul style="list-style-type: none"> ● 4 * USB 3.0 ports / HBFCU792C-XXXX-B only ● 2 * USB 3.0 ports, 2 * USB 2.0 / HBFCU792V-XXXX-B only ● 1 * HDMI 1.4 (max. 4096 x 2304@24Hz resolution) ● 1 * DP (Max. 4096 x 2304@60Hz resolution) / HBFCU792C-XXXX-B only ● 2 * RJ45 ● 1 * Line-in, 1 * MIC+Line-out Combo (Realtek ALC662VD) ● 2 * Antenna holes (WiFi only) ● 1 * DC-in jack
Front Panel I/O	<ul style="list-style-type: none"> ● 1 * Power button ● 1 * Power LED, 1 * HDD LED ● 2 * USB 2.0, 2 * USB 3.0 ● 1 * COM (RS232/422/485) / HBFCU792C(W) -Series only ● 1 * VGA / HBFCU792V(W)-Series only
Power Source	<ul style="list-style-type: none"> ● FSP AC to DC Adapter / DC12V_3.3A_40W

	<ul style="list-style-type: none"> ● AC 90~240V input
Compliance	CE, FCC, LVD, RoHS, ErP Ready
Temperature	Operating Temperature: 0~50 °C Storage Temperature: -10-70 °C
Dimensions	144 (W) x 116.9 (D) x 65 (H) mm
Packing	<ul style="list-style-type: none"> ● Net Weight: 1.8 KG ● Gross Weight: 2.8 KG ● Color Box dimension: 250 (W) * 118 (D) * 295 (H) mm
OS Support	32/64 bit versions of Windows 7, Windows 8.1, Windows 10, Linux
Warranty	2 Year limited warranty

*Specifications subject to change without notice, not responsible for typographical errors. Does not include HDD or OS.

Mechanical Drawings (Unit = mm)



Optional Accessories

Parts Number	Description
-----	HBFCU792X-XXXX-B
	Quick Installation Guide
G03-NU792C-F	IPC NU792C M/B User's Manual
	DVD driver
HLMAP-FSP040-F	FSP Adapter 12V 3.3A 40W / LEVEL6
-----	Power cord
HCSFCMWM01B-F	FC Series Wall mount / Black color
LCSCHBFDXXX-F	HBFX_Series Screw Pack
J05-ANT-AN2400-F	Antenna2G4 -2dBi R-AN2400-5701RS (WiFi only)
HCS3XXDINRAILPS-F	Din Rail Clip