



HBJC377F631(W) Series

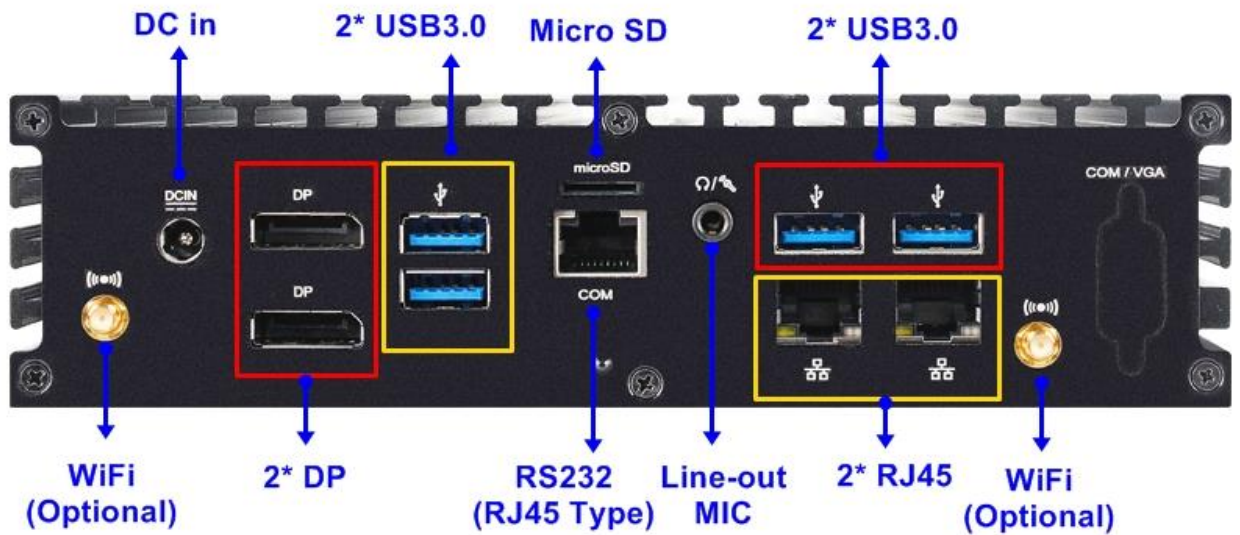


1. Intel® Apollo lake Processor (TDP 10W)
2. Support 1 * SO-DIMM DDR3L , up to 8GB memory
3. 2 * USB2.0, 4 * USB3.0, 2 * DP , 2 * RJ45 , 1 * SD , 1 * RS232 (RJ45 type)
4. DC-12V_60W FSP Adapter

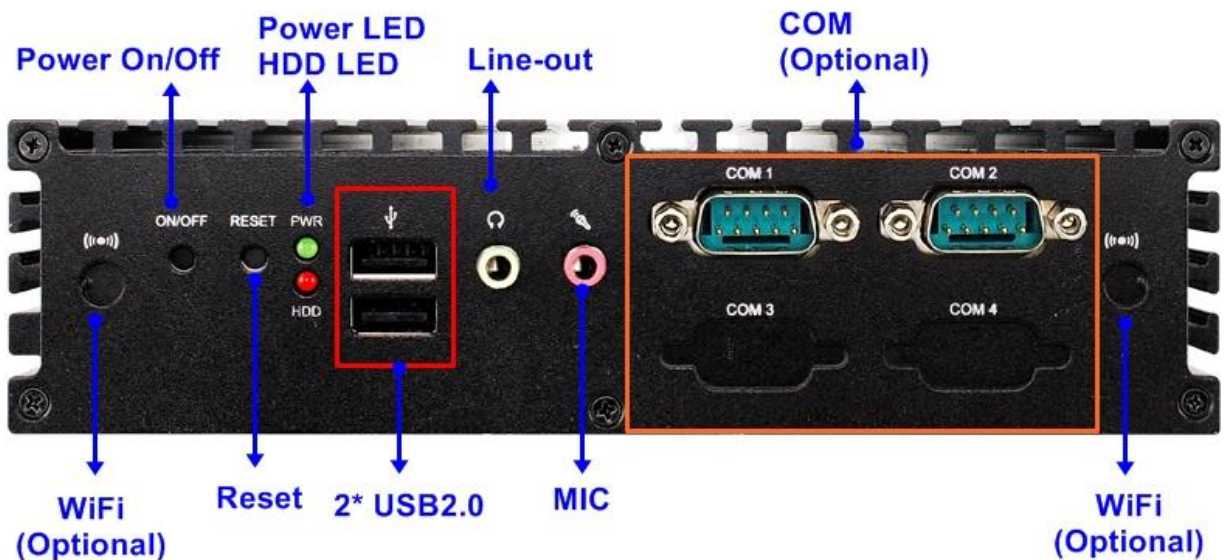


External I/O

Rear



Front

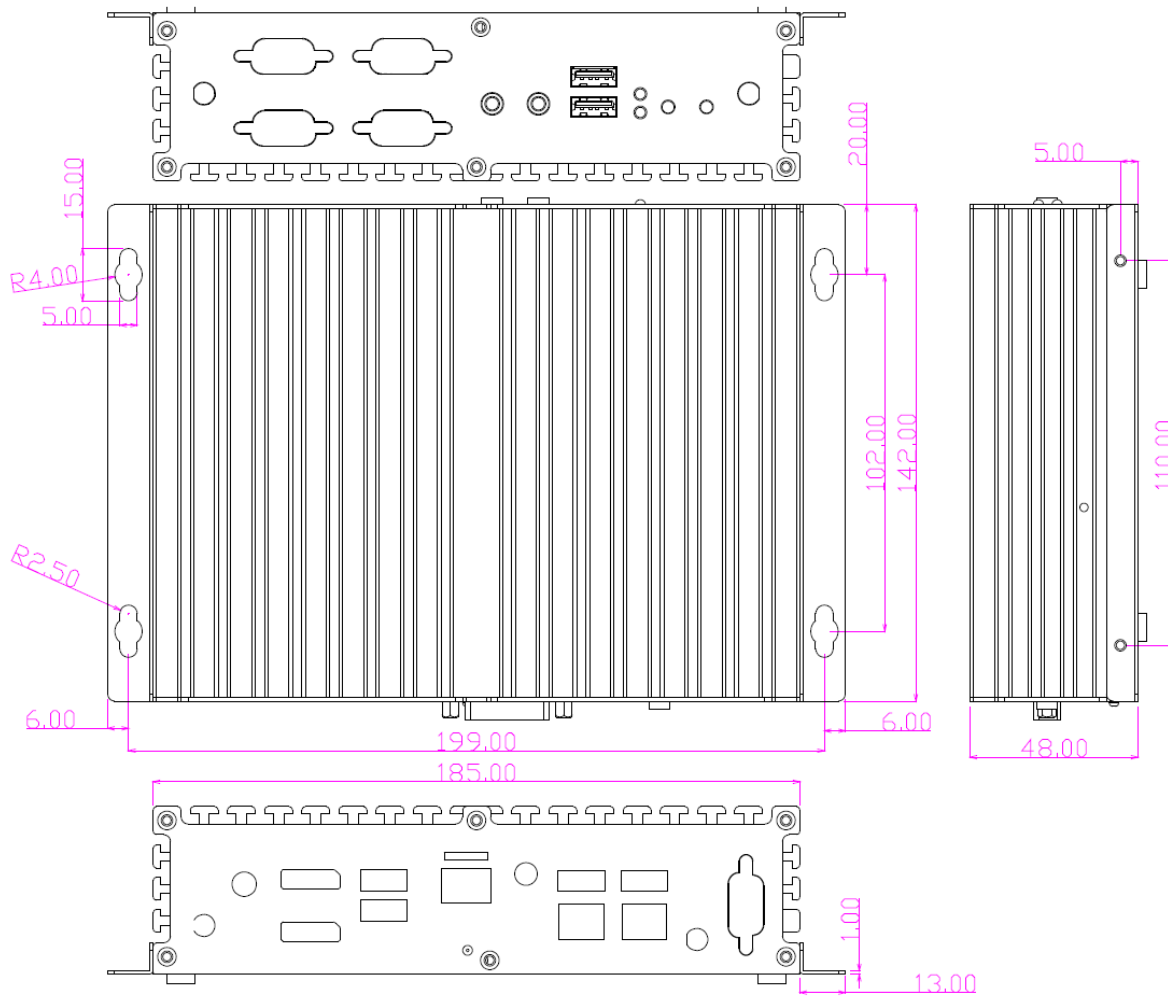


Specifications

MB Model	<ul style="list-style-type: none"> ● JNF631-3350 / 3.5" SBC ● JNF631-4200 / 3.5" SBC
Part No	<ul style="list-style-type: none"> ● HBJC377F631-3550B (non-WIFI) / HBJC377F631W3550B (WIFI) ● HBJC377F631-4200B (non-WIFI) / HBJC377F631W4200B (WIFI)
CPU/Chipset	<ul style="list-style-type: none"> ● Intel® Apollo lake Processor N Series (TDP 10W)
Memory	<ul style="list-style-type: none"> ● 1 * SO-DIMM slots DDR3L-1600MHz , up to 8GB
Storage	<ul style="list-style-type: none"> ● 1 * 2.5" SATA3 6Gb/s internal drive bay (Max Height 9.5 mm) ● 1 * M.2 SSD Device (M Key-2242) ● 1 * Micro SD card slot
Network	<ul style="list-style-type: none"> ● 2 * Intel® GbE
Expansion slot	<ul style="list-style-type: none"> ● 1 * full-size Mini-PCIe slot (for WiFi expansion)
Rear Panel I/O	<ul style="list-style-type: none"> ● 4 * USB 3.0 ● 2 * DP (Max. resolution:4096 x 2160@60Hz) ● 2 * RJ45 ● 1 * DC-In jack ● 1 * RS232 (RJ45 type) ● 1 * Micro SD ● 1 * Audio (Line out + Mic)
Front Panel I/O	<ul style="list-style-type: none"> ● 1 * Power button , 1 * Reset button ● 1 * Power LED , 1 * HDD LED ● 2 * USB 2.0 ports ● 1 * Line-out ● 2 * COM
Power Source	<ul style="list-style-type: none"> ● FSP DC Adapter / AC 90~240V input / DC12V-5A-60W / LV6
Compliance	<ul style="list-style-type: none"> ● CE, FCC, LVD, RoHS
Safety	<ul style="list-style-type: none"> ● Vibration test: N.C ● Shock test: N.C
Temperature	<ul style="list-style-type: none"> ● Operating Temperature: 0~50° C ● Storage Temperature: -10~70° C
Dimensions	<ul style="list-style-type: none"> ● 185 (W) x 142 (D) x 48 (H) mm
Packing	<ul style="list-style-type: none"> ● Net Weight: 1.4KG ● Gross Weight: 2.4KG ● Color Box dimension: 250 (W) * 118 (D) * 295 (H) mm
OS Support	Windows 7, Windows 8.1, Windows 10, Linux
Warranty	2 Year limited warranty

*Specifications subject to change without notice, not responsible for typographical errors. Does not include HDD or OS.

Mechanical Drawings (Unit = mm)



Optional Accessories

Parts Number	Description
	HBJCF631(W)-3350B
G03-NF631-F	IPC NF631 User's Manual
G02-DVD24-A1-WF	Mini-ITX INTEL Apollo Lake DVD
L01AS037-F	FSP Adapter 12V-5A-60W / LEVEL6
	Power cord
LCSCHBJC3XX-F	Screw Pack
HCS370MWM01B-2-F	Wall mount Kit
HCS3XXDINRAILPS-F	DIN RAIL Clip
J05-ANT-AN2400-F	Antenna2G4 -2dBi R-AN2400-5701RS (Option/WIFI only)